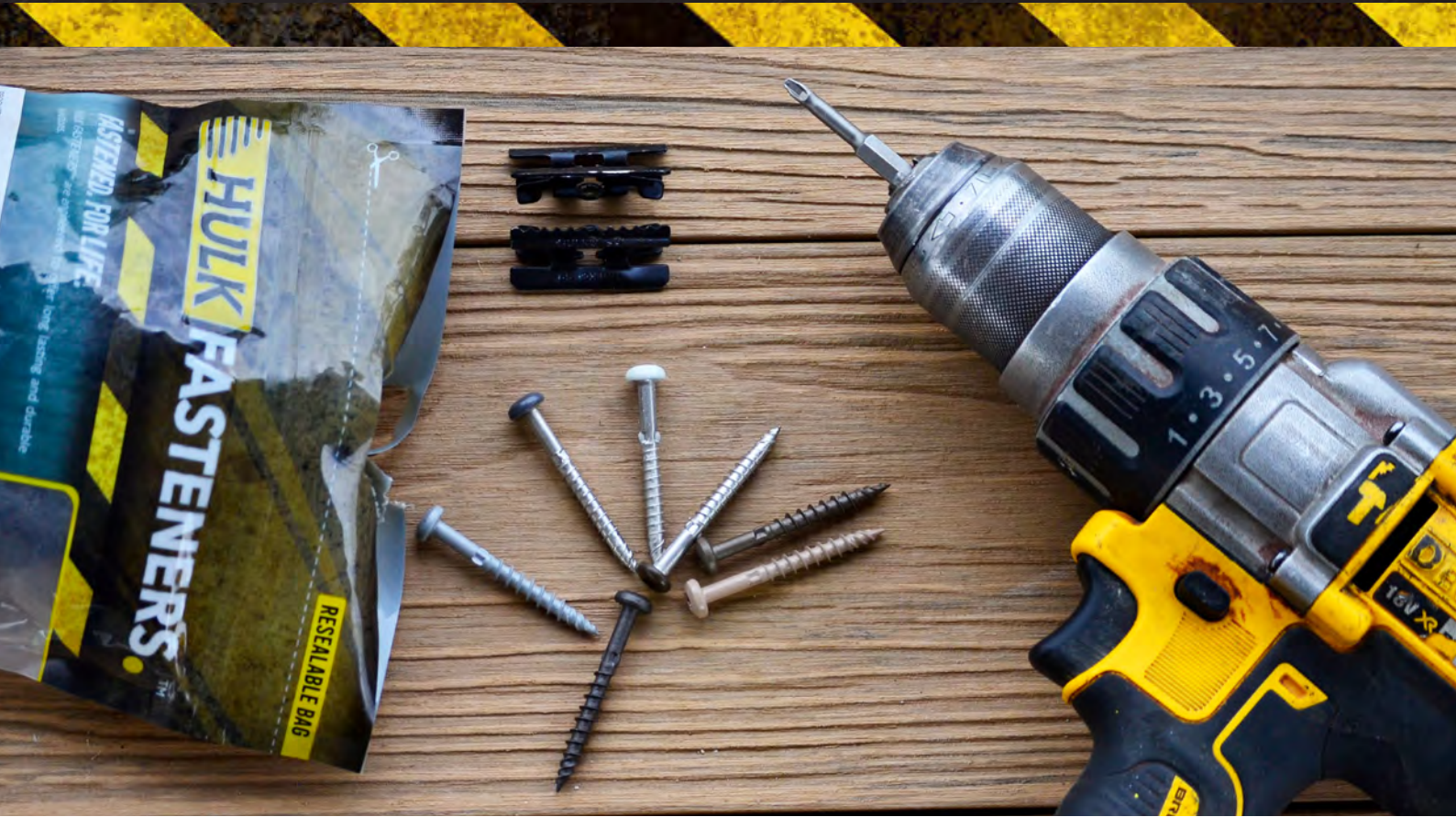


HULK FASTENERS.™



HULK FASTENERS.

500PCS

*HULK clip screws sold separately

Recommended

**9.5 / 3/8" groove height

CUSTOMER CARE:
US & Canada: 1-844-900-4099
International: +27 (0) 10 593 9216

CE

STAINLESS STEEL
S9 BLACK COATED DECKING CLIP
For fastening grooved deck boards to all types of decking frames.

CLIP LENGTH
1 1/2" 38MM

USES:
Hidden deck clip, designed for use with clip screw, to fasten grooved deck boards to all types of decking frames.

MADE IN CHINA

EVA-LAST
INSPIRED BY NATURE. DESIGNED FOR LIFE.

6 009707 911118

www.hulkfasteners.com

ISO

FASTEND, FOR LIFE.



www.eva-last.co.za

A PRODUCT BY



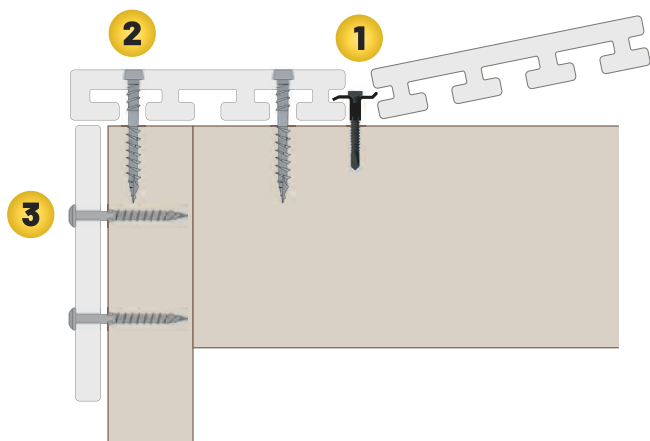
HULK FASTENERS™

RELIABLE DECKING FASTENER SYSTEMS

HULK Fasteners are purposefully designed to make composite or timber decking installations more efficient and straightforward by providing highly durable hidden fastener options that fit neatly into the edges of grooved boards, as well as a range of colour matching top fixing screws. These fasteners are created to match the warranties of the leading composite decking boards on the market and are available in a range of colours to complement the look of your decking of choice.

DESIGNED FOR PROFESSIONALS. PERFECT FOR NOVICES.

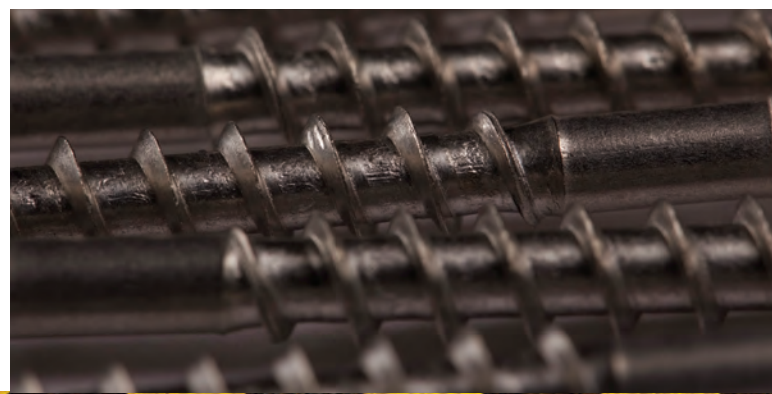
HULK Fasteners offer high performance and are a more efficient and discreet way to secure your decking without disrupting its final look.



1 Hidden Clip & Clip Screw

2 Composite Decking Screw (CDS) for timber frames or Metal Decking Screw (MDS) for metal frames

3 Composite Trim Screw for timber frames or Metal Trim Screw for metal frames



FASTENED. FOR LIFE.



**CORROSION
RESISTANT**



**COLOUR MATCHED
AESTHETIC**



**NEAT SURFACE
FINISH**



**FAST AND EASY
INSTALLATION**



**NO PRE-DRILLING
REQUIRED**

HIDDEN FASTENERS

HULK hidden fasteners give decking projects a seamless finish and a reliable attachment. Use clips for their specifically designed applications for best results.

CLIP & CLIP SCREW PRODUCT RANGE

S-SERIES CLIP

Eva-Last created the S-Series clip to match the life expectancy and durability of Eva-Last composite decking materials. This product laid the foundation for the hidden fastener: no more protruding screws, no more ruined finishes, no more untidy aesthetics.

These clips are designed to be used with HULK clip screws to provide a hidden fastening system that gives a clean, neat finish to your deck installation.



S6 CLIP

Use for fastening grooved deck boards with a foot height of approximately 6 mm. The S6 clip works with both the metal and timber clip screw.



S9 CLIP

Use for fastening grooved deck boards with a foot height of approximately 9 mm. The S9 clip works with both the metal and timber clip screw.

TIMBER CLIP SCREW



This screw is specifically designed for use with the HULK hidden deck clips to fasten the deck boards to timber substructure. No pre-drilling required.*

Dimensions:
M4.2 x 40 mm

Units per square metre:
18 - 25 screws

Material options:
Stainless steel (SS 316)
Carbon steel (C 1022)

Bit included:
T15



Available in packs of:
125

**COMPATIBLE WITH
S-SERIES CLIP AND
COLLATED CLIP**



METAL CLIP SCREW



This screw is specifically designed for use with the HULK hidden deck clips to fasten the deck boards to metal substructure. Suitable for metal structures between 0.8 mm and 2.0 mm. No pre-drilling required.*

Dimensions:
M4.2 x 31 mm

Units per square metre:
18 - 25 screws

Material:
Carbon steel (C1022)

Bit included:
T15



Available in packs of:
125

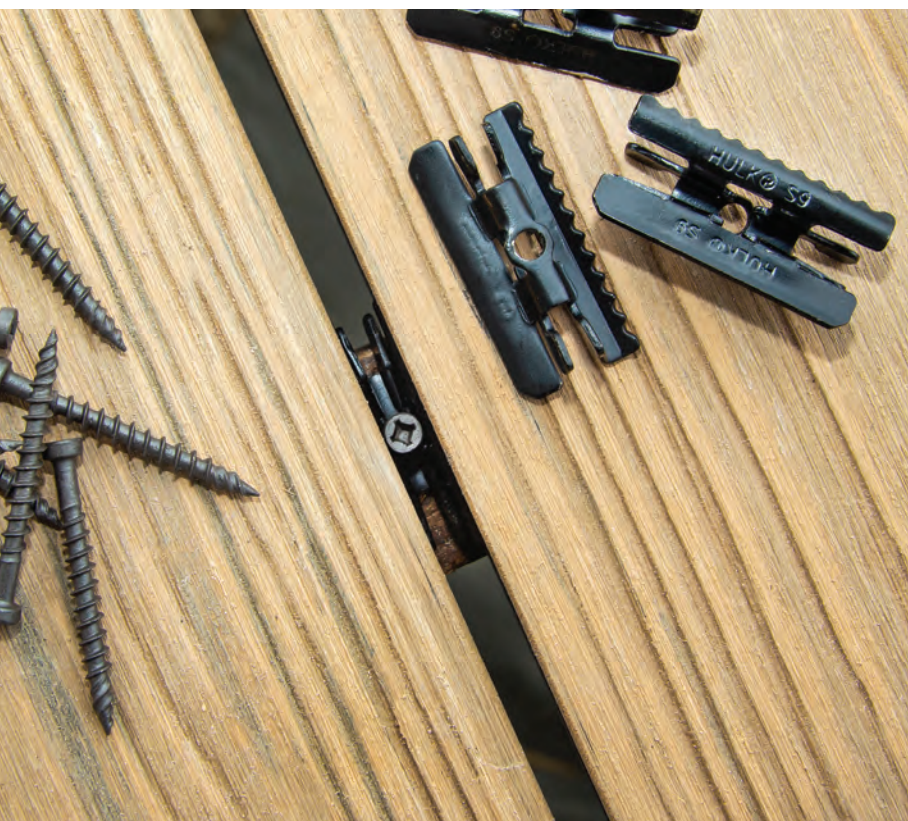
**COMPATIBLE WITH
S-SERIES CLIP AND
COLLATED CLIP**



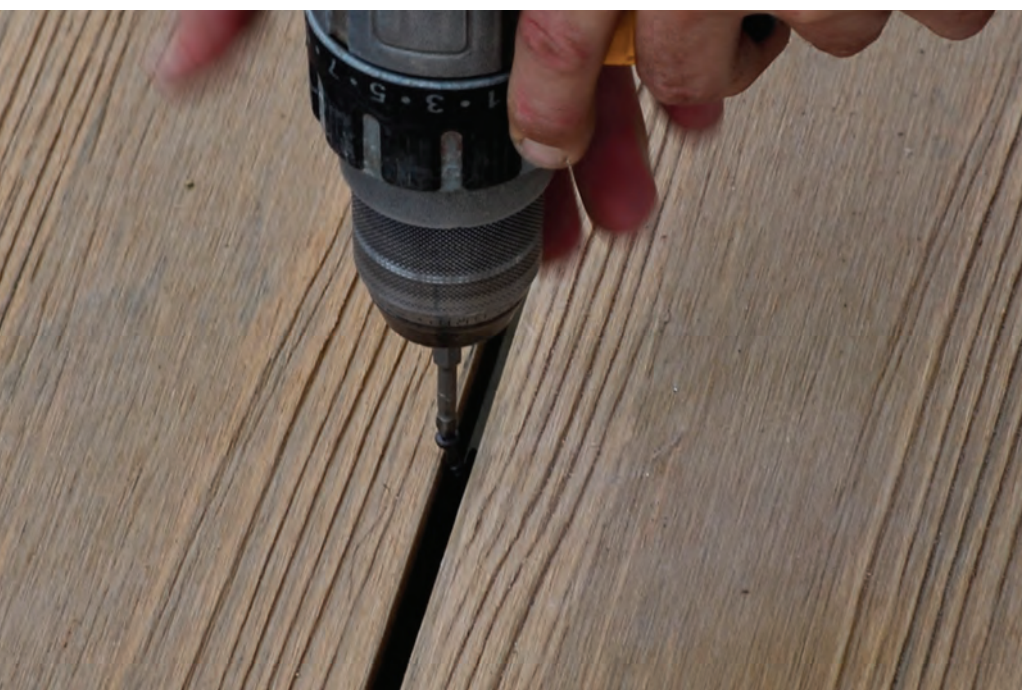
*Unless specified by decking or substrate manufacturer

Key features of HULK clip screws:

1. The pan head works perfectly with HULK clips.
2. The flat bottom shape of the screw is designed to rest securely on top of a HULK clip, preventing movement and damage.
3. The thread and shaft work seamlessly with the substructure and HULK decking clips.
4. The tip of the clip screw and composite deck screw is the same, making them highly versatile.
5. Both HULK clips and clip screws are dark in colour, camouflaging them between deck boards.



S-series clip and screw



TOP FIXING SCREWS

COMPOSITE DECK SCREW (CDS)



This screw is specifically designed for fastening 20 to 30 mm composite deck boards onto timber frames. Countersinking heads are coloured to match your deck to leave a neat surface finish.

AVAILABLE IN A VARIETY OF COLOURS TO MATCH YOUR DECK



Dimensions:
5.0 x 63.5 mm

Units per square metre:
36 - 50 screws

Material options:
Stainless steel (SS316)
Carbon steel (C1022)

Bit included:
T20

Available in packs of:
75

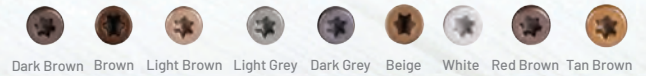


METAL DECK SCREW (MDS)



Use the metal deck screw for fastening 20 to 25 mm thick composite deck boards onto most metal frames without having to pre-drill unless specified by the decking manufacturer. This screw is suitable for fastening deck boards onto metal frames of up to 2.0 mm without having to pre-drill; thereafter it is advisable to pre-drill. The detachable reamer wing is only operational in steel upward of 0.8 mm thick. For a tight grip ensure that the wing has broken off.

AVAILABLE IN A VARIETY OF COLOURS TO MATCH YOUR DECK



Dimensions:
M5.0 x 44.5 mm

Units per square metre:
36 - 50 screws

Material:
Carbon steel (C1022)

Bit included:
T20

Available in packs of:
75



TIMBER TRIM SCREW



Use the timber trim screw for fastening composite or timber fascia boards of up to 18 mm thick onto timber frames without having to pre-drill unless specified by the decking manufacturer. It is suitable for softwood and most hard-woods frames. Pre-drilling may be required for dense hardwood frames.

AVAILABLE IN A VARIETY OF COLOURS TO MATCH YOUR DECK



Dimensions:
M5.5 x 48 mm

Bit included:
T25

Material:
Carbon steel (10B21)
Stainless steel (SS316)

Available in packs of:
75



METAL TRIM SCREW



The screw is specifically designed for the vertical application of thinner composite profiles ranging from 10 to 18 mm thickness onto metal structures without having to pre-drill.*

AVAILABLE IN A VARIETY OF COLOURS TO MATCH YOUR DECK



Dimensions:
M5.5 x 35 mm

Bit included:
T25

Material options:
Stainless steel (SS410)
Carbon steel (10B21)

Available in packs of:
75



*Unless specified by decking or substrate manufacturer

FRAMING SCREWS

TIMBER FRAME SCREW



This screw is specifically designed for fastening hardwood and softwood timber in a single or double level frame application.

Dimensions:
M6.0 x 80 mm | M6.0 x 100 mm

Material:
Carbon steel (C1022)

Available in packs of:
100 | 200

Bit required (not included):
T30



TEK SCREW



This screw is specifically designed with a self-drilling tip for fixing steel to steel, such as fixing metal frames to metal frames, without having to pre-drill.*

Dimensions:
M5.5 x 25 mm

Material:
Carbon steel (C1022)

Available in packs of:
50 | 350

Bit required (not included):
13 mm Hex bit socket driver



*Unless specified by decking or substrate manufacturer

FASTENED. FOR LIFE.



chain™

Collated decking clip

UNIVERSAL COLLATED HIDDEN DECK FASTENER

Chain collated clips are innovatively engineered to work with composite or timber boards of varying thickness and with timber or metal frames for a more cost-effective and efficient installation. Chain offers superior durability and strength, a discreet appearance, and easier post-installation access and board removal.

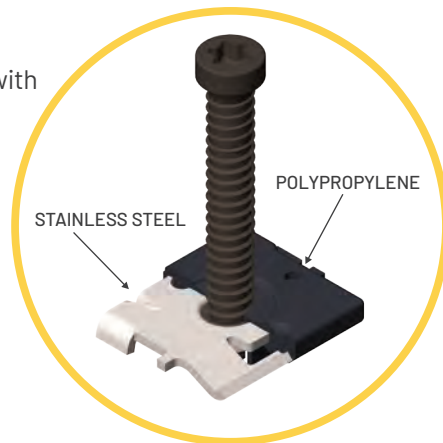
A PRODUCT BY **HULK FASTENERS™**

GET THE JOB DONE FASTER.

Chain collated clips save you time and money by streamlining installation with pre-loaded screws that offer cutting-edge performance for the entire lifespan of your deck. Enjoy a simpler installation and a more secure long-term fastener that complements the overall look of your deck.



Stainless steel clip with
polymer coating



Preloaded with screw
for ease of installation

FEATURES AND BENEFITS



MORE EFFICIENT INSTALLATION

Collated system comes pre-loaded with screws for quicker installation



UNIVERSAL APPLICATION

Works with timber & composite boards of variable thickness & groove depths



DURABLE

Stainless steel clip with a protective polymer coating for extended outdoor longevity



STRENGTH IN SIZE

Proven strength in uplift holding power & preventing lateral movement of boards



INNOVATIVE ENGINEERING

Cost-effective use of materials without affecting grip strength or overall clip performance

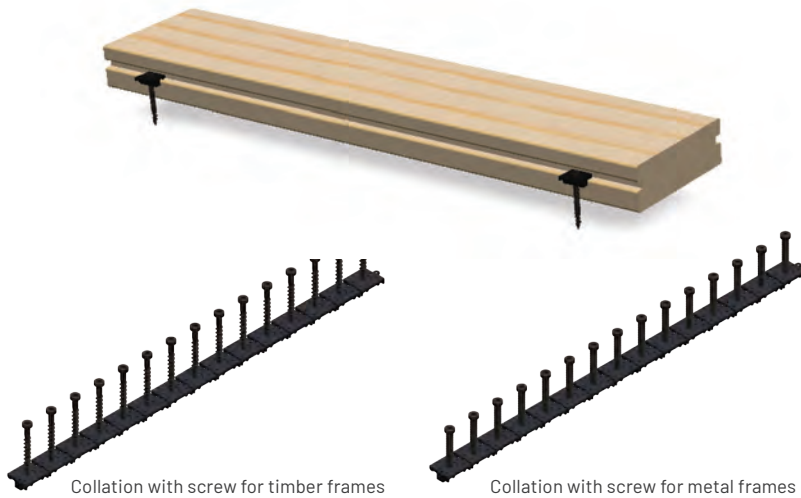


EASIER POST-INSTALLATION ACCESS

More convenient post-installation board removal with direct overhead fastener access

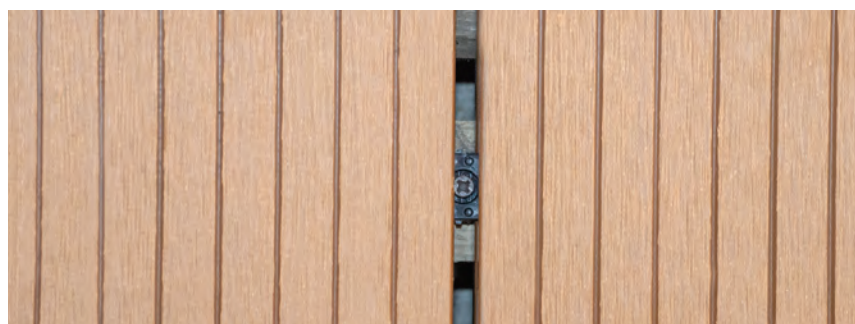
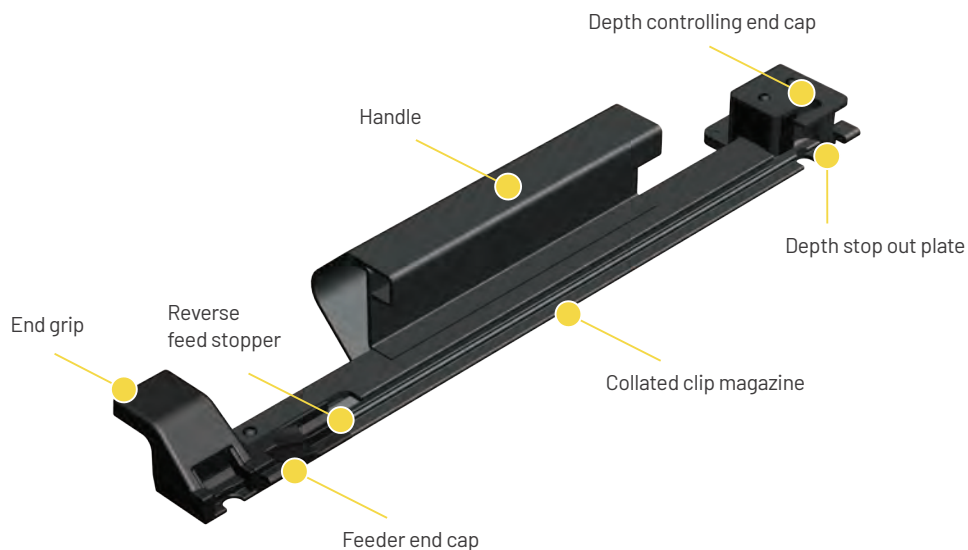
CHAIN COLLATED CLIPS

Chain collated clips offer a smarter solution for creating an outdoor decking oasis. Each clip is pre-loaded with either a timber or metal frame screw for ease of installation. Like all Eva-Last products, Chain collated clips are built on the principle of longevity. The durable and high quality materials of Chain collated clips, make installations more efficient and longer lasting, for both professionals and novices alike.



CHAIN HAND TOOL

The Chain hand tool adds value to the Chain collated clip system by maximising installation efficiency. The hand tool creates precise fastening thanks to its built-in depth control system that eliminates installation errors and weak connections. The hand tool is compatible with a wide range of composite and timber board sizes, ergonomically designed for ease of use, and made from high quality materials for long-lasting reliability.





LOW ENVIRONMENTAL IMPACT

Holistically sustainable manufacturing & use of raw materials

CHOOSE SUSTAINABLE DECKING



RENEWABLE RESOURCES & RENEWABLE ENERGY

We believe that how we manufacture is just as important as what we manufacture when it comes to going green. That's why we've traded in fossil fuels for renewable energy. Our products use solar power as part of our manufacturing process. We are fully committed to bringing you a product that's holistically sustainable.

Every Eva-Last outdoor range pairs recycled raw ingredients with bamboo for a stronger, more sustainable composite. Bamboo rejuvenates over 30 times faster than traditional hardwoods and it releases 35% more oxygen into our air. Eva-Last is internationally recognised for our commitment to the environment. We're proud of the work we do to promote environmental sustainability, and invite you to choose timber alternatives that are gentle on the Earth.

Head office

Johannesburg: 010 593 9220

Cape Town: 021 003 3126

Durban: 031 331 0068

Gqeberha: 041 450 2933

Email: sales@eva-last.com

- Made from recycled materials
- No trees felled
- No treatment or toxic chemicals required
- Solar powered manufacturing processes
- Reduced impact on landfills (recyclable at the end of life)
- Reduced carbon footprint



www.eva-last.co.za

© 2022 Eva-Last Distributors PTY LTD ; Eva-Last reserves the rights to all brands, products, and trademarks within this publication.

Eva-Last ITEM: 09/22 PRODUCT BROCHURE