



CHAIN FASTENERS HAND TOOL MATERIAL SAFETY DATA SHEET

Version B 2.0 | 20201028HF5MC102201 | 19/01/2021



Before installing, please ensure you have downloaded the latest version of this MSDS by scanning this code.

www.eva-last.com

A PRODUCT BY **EVA-LAST**[®]
INSPIRED BY NATURE, DESIGNED FOR LIFE.

Introduction

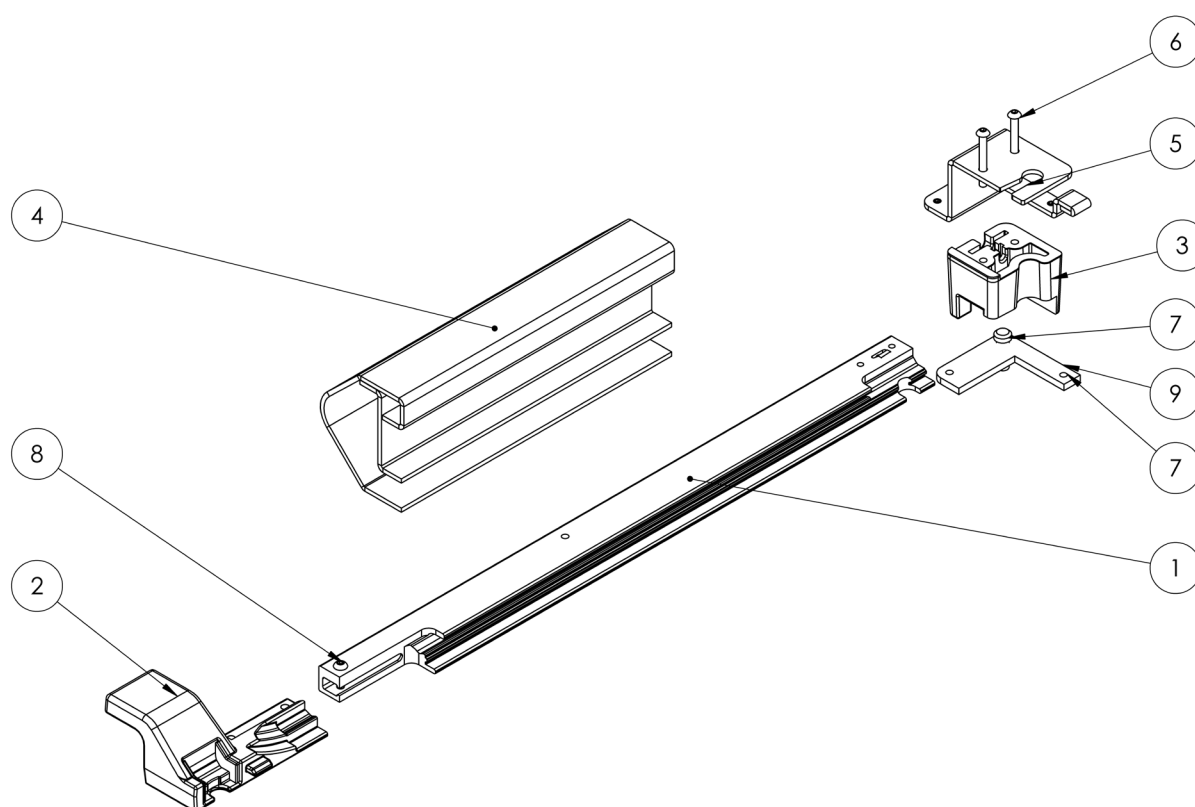
Manufacturers details

Product name: Chain hand tool for collated deck fasteners.

Product use: Used as a hand tool aid, in the installation of hidden fasteners between deck boards.

The primary component consists of an extruded aluminium clip magazine, to which various components are attached/fastened. Designed to facilitate the guidance and loading, as well as the correct, unimpeded, and expeditious installation of the Chain collated decking clips.

This product consists of multiple parts, supplied fully assembled, with loose accessories.



Parts list

Part No.	No.	Item identifier	Note	Grade	Page number
HFCCA01	1	Clip magazine	Aluminium extrusion	6063 - T6 or 6061 - T4	7 to 12
HFCCPMP3	2	End (Starter) cap	Nylon - Glass reinforced	Nylon 6	13 to 18
HFCCPM3P32	3	End cap	Nylon - Glass reinforced	Nylon 6	19 to 24
HFSP1HT	4	Grip/depth stop	Steel	Galvanised	
HFSDG1	5	Depth gauge	Steel	Galvanised	
ISO7380	6,7,8	M3 Button head screw	Carbon steel	TBD	
ISO7380	9	M3 Cap head screw	Carbon steel	TBD	
DIN557	10	M3 Square nut	Carbon steel	TBD	
	11	Depth controlling bit	Accessories	N/A	
	12	M3 Allen key	Accessories	N/A	

Hazard identification

Hazard classification

This material is a non-hazardous.

Precautionary statements

Always wear appropriate, code compliant Personal Protective Equipment (PPE) for the various activities involved in handling the hand tool. This includes, but is not limited to, general equipment such as safety glasses, gloves and boots, dust-masks, long sleeve shirts, and harness systems when working at heights or similar. Local occupational health and safety legislation will dictate.

Additional note

While the hand tool itself may pose no foreseeable health affects, the application (i.e, deck building), may produce saw dust and other fine particulate matter containing potentially hazardous fumes and waste that may be inhaled, or absorbed. Reasonable care should be taken regarding the moving parts of the deck, beyond the hand tool.

Emergency overview

Immediate health, physical and environmental hazards

When the product is used in line with product directions and guidelines under reasonable conditions, should not pose a health hazard. However, individual parts may pose a choking hazard in loose form.

Eye contact

No foreseeable health affects.

Skin contact

No foreseeable health affects.

Inhalation

No foreseeable health affects.

Ingestion

No foreseeable health affects.

Composition and information on ingredients

See part specific documentation.

First aid measures

In the event of an injury to skin or eyes, seek immediate medical attention.

Eye contact

Following exposure to dust, flush thoroughly with water. If irritation persists, call a physician. Particles of iron that become imbedded in the eye may cause rust stains unless removed immediately.

Skin contact

Wash affected areas with soap (or a mild detergent) and water. In case of burns, (due to molten polymers or otherwise), hold burn under cold water and seek medical attention. If a rash or irritation occurs, seek medical attention.

Inhalation

In cases of overexposure to fumes, and sawdust remove the person to fresh air. If respiratory issues such as excessive coughing, shortness of breath, wheezing or chest tightness occur, avoid further exposure, administer artificial oxygen, and seek immediate medical assistance. In cases of "Metal Fume Fever", bed rest and symptomatic treatment should be administered.

Consumption

There is no foreseeable need for first aid. Small parts may be a choking hazard.

Firefighting measures

Suitable fire extinguishing media

Water (spray, stream, or fog), foam, dry chemical or Carbon Dioxide (CO₂). Do not use water on molten metal.

Special fire-fighting procedures

Use extinguishing media most appropriate for fire type. Do not release runoff into water ways or sewers.

Hazardous byproducts

Thermal oxidative decomposition of Aluminum products can produce fumes containing oxides of zinc, iron, manganese, and other elements at temperatures above melting point.

Accidental release measures

Personal precautions, protective equipment, and emergency procedures

N/A.

Environmental precautions

N/A.

Requirements for containment and cleaning up

N/A.

Handling and storage

Personal precautions

Follow local OSHA regulations. Always wear suitable protective clothing. Gloves should be worn during handling. Flying particulate matter may become lodged in the eye and skin, wear protective glasses, and long-sleeved shirts. Fumes may be produced by welding or heating, wear dust masks designed for fine particulate matter. Wash skin that has been exposed to oils with soap and water. Launder clothes and gloves after use, or when they have become saturated with oils or dust.

Precautions for safe handling

Dependant on use, store per product guidelines. Under normal use and conditions, this product should release no hazardous chemicals and is generally recognised as safe.

Owing to the nature of the tool, saw dust and other particulates may build up in parts of the tool, which may affect their operations but also, should be regularly cleared out, to prevent creating a fire hazard.

Conditions for safe storage including any incompatibilities

Keep away from oxidisers and similar.

Note

Storage where exposed to the elements, resulting in exposure to UV light, or similar, may result in differential weathering, or corrosion of the product.

Exposure controls and personal protection measures

Single part, under normal use and conditions, this product should release no hazardous chemicals and is generally recognised as safe. Operations may result in the generation of saw dust, and as a result rational precautions should be taken in the use of this product.

Ventilation

Operations with the potential for generating high concentrations of airborne particulates should be evaluated and controlled, as necessary. Practice good housekeeping and avoid breathing fumes or dust.

Respiratory protection

Approved dust respirators must be used for dusty conditions or if inhalation of fumes is likely. Use respirators that will provide workers with adequate protection for given work conditions, airborne contamination, and presence of sufficient oxygen levels.

Eye protection

Safety glasses with side shields, or goggles, should be worn to protect against particulate matter during operation.

Skin protection

Aluminium is likely to have sharp edges and could cause lacerations; gloves should be worn during handling. Dust may cause skin irritation; long sleeves should be worn during handling.

National occupational exposure limits

See part specific documentation.

Personal protection equipment

Always wear appropriate, code compliant Personal Protective Equipment (PPE) for the various activities involved in handling the aluminium extrusion. This includes, but is not limited to, general equipment such as safety glasses, helmets, gloves and boots, dust-masks, long sleeve shirts when cutting or similar, and harness systems when working at heights or similar. The local occupational health and safety legislation will dictate.

Physical and chemical properties

See part specific documentation.

Stability and reactivity

See part specific documentation.

Toxicology information

See part specific documentation.

Ecological impacts

See part specific documentation.

Disposal consideration

Dispose of products and packaging per the local/regional/national/international regulations.

Transportation information

No specific request.

Regulatory information

Undetermined.

Introduction - Aluminium Clip magazine (HFCCAE01)

Manufacturers details

Product name: Chain hand tool for collated deck fasteners. (Part 1 of 12)

Product use: Used as a hand tool aid, in the installation of hidden fasteners between deck boards.

The tool primarily consists of an extruded aluminium clip magazine, to which various polymer and steel components are attached/fastened, to facilitate the guidance, loading, correct, unimpeded and expeditious installation of the HULK Fasteners, Chain collated decking clip.

The aluminium clip magazine is used to feed the clip strips to the depth controlling end, using the geometry of the hidden fastener to keep them in place.

Manufacturing information: Eva-Last
Room 1203, 12/F
Tower 333 Canton Road,
Tsimshatsui,
Hong Kong, China

Emergency Contact: +86 021 53397986

Product information: +27 10 593 9220

Email: info@eva-last.com

Website: www.eva-last.com

Hazard identification

Hazard classification

Considered non-hazardous material.

Precautionary statements

Wear appropriate personal protective equipment when using this product per the user guidelines.

Emergency overview

Immediate health, physical and environmental hazards

When the product is used in line with product directions and guidelines under reasonable conditions, should not pose a health hazard. However, may pose a choking hazard in loose form.

Eye contact

No foreseeable health affects.

Skin contact

No foreseeable health affects.

Inhalation

No foreseeable health affects.

Ingestion

No foreseeable health affects.

Additional note

When this product is in a solid metal form it poses no immediate health or fire hazard. During processes such as welding, burning, melting, sawing, grinding or similar activities, potentially hazardous particles and fumes may be generated. Avoid inhalation of metal dust or fumes. Work in well ventilated areas, and if necessary, wear respiratory protection. Protective eye wear should always be worn during handling and use. Iron or steel foreign bodies may become imbedded in the cornea of the eye and may leave rust stains if not removed expediently.

Composition and information on ingredients

Substance name	Approximate weight%	CAS number	Agency	Exposure limit	Comment
Core - Aluminium alloy 6063-T6					
Aluminium (Al)	≤ 97.5%	7429-90-5	OSHA OSHA ACGIH ACGIH	15 mg/m ³ 35 mg/m ³ 15 mg/m ³ 5 mg/m ³	Total dust (PNOR) Respirable fraction (PNOR) Metal dust Welding fume
Chromium (Cr)	≤ 0.1%	7440 - 47 -3	OSHA ACGIH	1 mg/m ³ 0.5 mg/m ³	(Cr) (Cr)
Copper (Cu)	≤ 0.1%	7440-50-8	OSHA OSHA ACGIH ACGIH	0.1 mg/m ³ 1 mg/m ³ 0.2 mg/m ³ 1 mg/m ³	Fume (as Cu) Dusts & mists (as Cu) Fume Dusts & mists (as Cu)
Iron (Fe)	≤ 0.35%	7439-89-6	OSHA ACGIH	10 mg/m ³ 5 mg/m ³	Iron oxide fume Iron oxide dust & fume
Manganese (Mn)	0.45 - 0.9%	7439-96-5	OSHA ACGIH	5 mg/m ³ 0.2 mg/m ³	Fume & Mn compounds Fume
Magnesium (Mg)	≤ 0.1%	7439-95-4	OSHA ACGIH	15 mg/m ³ 10 mg/m ³	Fume Fume
Silicon (Si)	0.2 - 0.6%	7440-21-3	OSHA OSHA ACGIH	15 mg/m ³ 5 mg/m ³ 10 mg/m ³	Total dust Respirable fraction
Titanium (Ti)	≤ 0.1	7440 - 32 -6	OSHA ACGIH	15 mg/m ³ 10 mg/m ³	(TiO ₂) (TiO ₂)
Zinc (Zn)	≤ 0,1	7440-66-6	OSHA OSHA OSHA ACGIH ACGIH ACGIH	5 mg/m ³ 15 mg/m ³ 5 mg/m ³ 5 mg/m ³ 10 mg/m ³ 10 mg/m ³	Fume Total dust Respirable fraction Fume STEL Dust
Coating - Thermoset resin					
Polyester resin	50 - 60%	113669-95-7			
Curing agent	3.0 - 5.0%				
Titanium dioxide	15 - 25%	13463-67-7	OSHA NIOSH ACGIH	15 mg/m ³ 2.4mg/m ³ 10mg/m ³	REL REL TVL
Barium sulphate	20 - 35%	7727-43-7	NIOSH OSHA	10mg/m ³ 15mg/m ³	REL REL
Pigment	0.5 - 1.5%				
Polyethylene wax powder	1.0 - 2.0%	9002-88-4			
Other	1 - 5%				

Note: These components may contain small amounts of various elements in addition to those specified. These small quantities (less than 0.1%) may exist as intentional additions, or as "trace" or "residual" elements that generally originate in the raw materials used. These elements may include aluminum, antimony, arsenic, boron, cadmium, calcium, chromium, cobalt, columbium, copper, lead, molybdenum, nickel, silicon, tin, titanium, vanadium, and zirconium. Surfaces may be chemically treated.

First aid measures

In the event of an injury to skin or eyes, seek immediate medical attention.

Eye contact

Following exposure to dust, flush thoroughly with water. If irritation persists, call a physician. Particles of iron that become imbedded in the eye may cause rust stains unless removed immediately.

Skin contact

Wash affected areas with soap (or a mild detergent) and water. In case of burns, (due to molten polymers or otherwise), hold burn under cold water and seek medical attention. If a rash or irritation occurs, seek medical attention.

Inhalation

In cases of overexposure to fumes, and sawdust remove the person to fresh air. If respiratory issues such as excessive coughing, shortness of breath, wheezing or chest tightness occur, avoid further exposure, administer artificial oxygen, and seek immediate medical assistance. In cases of "Metal Fume Fever", bed rest and symptomatic treatment should be administered.

Consumption

There is no foreseeable need for first aid. Small parts may be a choking hazard.

Firefighting measures

Suitable fire extinguishing media

Not applicable to solid materials, do not use water on molten metal.

Special fire-fighting procedures

Use extinguishing media most appropriate for fire type. Do not release runoff into water ways or sewers.

Protective equipment

Firefighters must use self-contained breathing apparatus.

Hazardous byproducts

Thermal oxidative decomposition of Aluminum products can produce fumes containing oxides of zinc, iron, manganese, and other elements at temperatures above melting point.

Accidental release measures

Not applicable to aluminium in its solid state. Suitable protective clothing and equipment, such as hand and eye protection, should be worn when working with fine particles. Avoid inhaling any dry dusts or fine particles. Vacuuming and wet sweeping should be used to remove dust and avoid using compressed air. Do not release into waterways or sewer systems and dispose of materials in accordance with jurisdictional requirements.

Personal precautions, protective equipment, and emergency procedures

N/A.

Environmental precautions

N/A.

Requirements for containment and cleaning up

N/A.

Handling and storage

Personal precautions

Follow local OSHA regulations. Always wear suitable protective clothing. Gloves should be worn during handling. Flying particulate matter may become lodged in the eye and skin, wear protective glasses, and long-sleeved shirts. Fumes may be produced by welding or heating, wear dust masks designed for fine particulate matter. Wash skin that has been exposed to oils with soap and water. Launder clothes and gloves after use, or when they have become saturated with oils or dust.

Precautions for safe handling

Dependant on use, store per product guidelines. Under normal use and conditions, this product should release no hazardous chemicals and is generally recognised as safe.

Conditions for safe storage including any incompatibilities

Keep away from oxidisers and similar.

Note

Storage where exposed to the elements, resulting in exposure to UV light, or similar, may result in differential weathering, or corrosion of the product.

Exposure controls and personal protection measures

Single part, under normal use and conditions, this product should release no hazardous chemicals and is generally recognised as safe. Operations may result in the generation of saw dust, and as a result rational precautions should be taken in the use of this product.

Ventilation

Operations with the potential for generating high concentrations of airborne particulates should be evaluated and controlled, as necessary. Practice good housekeeping and avoid breathing fumes or dust.

Respiratory protection

Approved dust respirators must be used for dusty conditions or if inhalation of fumes is likely. Use respirators that will provide workers with adequate protection for given work conditions, airborne contamination, and presence of sufficient oxygen levels.

Eye protection

Safety glasses with side shields, or goggles should be worn to protect against particulate matter during operation.

Skin protection

Aluminium is likely to have sharp edges and could cause lacerations; gloves should be worn during handling. Dust may cause skin irritation; long sleeves should be worn during handling.

National occupational exposure limits

Refer to material composition table for ingredient exposure limits. Otherwise, no value has been assigned to this specific composite material. May differ from region to region.

Personal protection equipment

Always wear appropriate, code compliant Personal Protective Equipment (PPE) for the various activities involved in handling the aluminium extrusion. This includes, but is not limited to, general equipment such as safety glasses, helmets, gloves and boots, dust-masks, long sleeve shirts when cutting or similar, and harness systems when working at heights or similar. The local occupational health and safety legislation will dictate.

Physical and chemical properties

Part	1 - HFCCAEO1
Specific physical form	Aluminium extrusion – Cut and milled
Colour/Grade	Powder-coated – black, grey, or similar
General physical form	Aluminium extrusion
Odour	No odour
Flammability	N/A
Auto-ignition temperature	N/A
Decomposition temperature	N/A
Solubility in water and non-water	N/A
Viscosity	N/A

Stability and reactivity

Stability

Stable. Considered non-reactive under normal circumstances.

Materials and conditions to avoid

Strong oxidising agents.

Conditions to avoid

Store away from oxidizing agents, strong acids, or bases. Air and moisture sensitive.

Hazardous polymerisation or decomposition

Under normal conditions of storage and use, hazardous decomposition products should not be produced. Aluminium oxide. Is potentially a combustible, solid, finely divided dust is easily ignited; may cause explosions.

Toxicology information

Generally considered non-toxic in final form. The possible presence of chemical surface treatments and coatings should be considered when evaluating potential employee health hazards and exposures during handling and welding or other fume generating activities. Adequately cured and adherent coatings of polyester may be expected to present negligible hazard under normal conditions of use where risk of transfer into the body is minimal. Some colored coatings contain pigments of lead compounds which, although they are of low solubility, should not be used where they are likely to be sucked or chewed by children. Dust from sawing etc. presents the normal hazard of any dust and should be controlled by extraction. Dust from coloured powder should be collected by vacuum and disposed of by approved means. Burning of the coating can produce harmful materials which will vary and depend upon the factors present during combustion but could include acrolein and other aldehydes, phthalic anhydride, phenol, nitrogen oxides, amines, hydrogen cyanide and low molecular weight free isocyanate.

Inhalation

There is no foreseeable health affect.

Skin Contact

There is no foreseeable health affect.

Eye effect

There is no foreseeable health affect.

Consumption

There is no foreseeable health affect.

Additional note

When the product is used in line with product directions and guidelines under reasonable conditions, should not pose a health hazard.

Ecological information

This product, its use, release, and disposal are expected to have a low environmental impact and risk.

Environmental effects

Aluminium is naturally occurring in soil, owing to its abundance in nature. Excess amounts of soluble aluminium may cause aluminium toxicity in surrounding plants.

Environmental degradation

Acidification results in an increase in mobility for monomeric forms of aluminium.

Soil absorption/mobility

Generally, acidification results in an increase in mobility for monomeric forms of aluminium. Because of the increased Al mobility in soil at low pH, the occurrence of acid rain and the release of acid mine drainage are bringing more amount of soluble Al in soil.

Disposal consideration

Dispose of products and packaging per the local/regional/national/international regulations.

Aluminium scraps should be recycled whenever possible. Product dusts and fumes from processing operations should also be recycled or classified by a competent environmental professional and disposed of in accordance with applicable regulations. Observe safe handling precautions.

Transportation information

No specific request.

Regulatory information

Part 1 of 12

Undetermined.

Introduction - Nylon end caps - Parts 2 and 3 (HFCCPMP3 and HFCCPMP32)

Manufacturers details

Product name: Chain hand tool for collated deck fasteners. (Part 2 and 3 of 12)
Product use: Used as a hand tool aid, in the installation of hidden fasteners between deck boards.

The tool primarily consists of an extruded aluminium clip magazine, to which various polymer and steel components are attached/fastened, to facilitate the guidance, loading, correct, unimpeded and expeditious installation of the HULK Fasteners, Chain collated decking clip.

The injection moulded end and starter cap provide additional features beyond the extruded aluminium. The starter cap provides additional installation functions, while acting as a guide to insert collated hidden deck fasteners, while the end cap facilitates the depth control for the fastener, to prevent over fastening, and clear feedback to the installer.

Manufacturing information: Eva-Last
Room 1203, 12/F
Tower 333 Canton Road,
Tsimshatsui,
Hong Kong, China

Emergency Contact: +86 021 53397986

Product information: +27 10 593 9220

Email: info@eva-last.com

Website: www.eva-last.com

Hazard identification

Hazard classification

Considered non-hazardous material.

Precautionary statements

Wear appropriate personal protective equipment when using this product per the user guidelines.

Emergency overview

Immediate health, physical and environmental hazards

When the product is used in line with product directions and guidelines under reasonable conditions, should not pose a health hazard. However, may pose a choking hazard in loose form.

Eye contact

No foreseeable health affects.

Skin contact

No foreseeable health affects.

Inhalation

No foreseeable health affects.

Ingestion

No foreseeable health affects.

Additional note

Keep away from contact with oxidizing materials. Dust may form an explosive mixture with air. Use exhaust ventilation when cutting, sawing, or grinding in enclosed area. Dust may cause irritation to eyes, skin, and upper respiratory tract. When cutting, sanding, or grinding avoid inhalation and wear safety glasses. Use puncture resistant gloves. Wash thoroughly after handling should irritation occur.

Composition and information on ingredients

Substance	Approximate weight (%)	CAS No.	Agency	Exposure limit (mg/m ³)	Note
Polyamide 6 (Nylon 6)	70 - 100%	25038 - 54 - 4	OSHA ACGIH	5 mg/m ³ 3 mg/m ³	Respiratory dust fraction (PEL-TWA) Respiratory dust particles (TLV-TWA)
Glass F=fibre	0 - 30%	N/A	OSHA ACGIH	15 mg/m ³ 10 mg/m ³	Respiratory dust fraction (PEL-TWA) Respiratory dust particles (TLV-TWA)
Additional additives					
Anti-mould agents, Coupling agents, Anti-UV agents, Colour pigments, etc.					Information withheld

First aid measures

Eye contact

Following exposure to dust, flush thoroughly with water. If irritation persists, call a physician. Particles of iron that become imbedded in the eye may cause rust stains unless removed immediately.

Skin contact

Wash affected areas with soap (or a mild detergent) and water. In case of burns, (due to molten polymers or otherwise), hold burn under cold water and seek medical attention. If a rash or irritation occurs, seek medical attention.

Inhalation

In cases of overexposure to fumes, remove the person to fresh air. If respiratory issues such as excessive coughing, shortness of breath, wheezing or chest tightness occur, avoid further exposure, administer artificial oxygen, and seek immediate medical assistance.

Consumption

There is no foreseeable need for first aid. Small parts may be a choking hazard.

Firefighting measures

Suitable fire extinguishing media

Water (spray, stream, or fog), foam, dry chemical or Carbon Dioxide (CO₂).

Special fire-fighting procedures

Use extinguishing media most appropriate for fire type. Douse affected and surrounding areas with water in normal circumstances. For fires in enclosed areas, firefighters must use self-contained breathing apparatus and suitable protective gear.

Protective equipment

Firefighters must use self-contained breathing apparatus.

Hazardous byproducts

During a fire, irritants and gases may be generated by thermal decomposition or combustion. Carbon dioxide, carbon monoxide, ketones, aldehydes, unidentified organic compounds may be generated. Dense smoke is emitted when burned without sufficient oxygen.

Accidental release measures

Suitable protective clothing and equipment, such as hand and eye protection, should be worn when working with fine particles. Avoid inhaling any dry dusts or fine particles. Vacuuming and wet sweeping should be used to remove dust and avoid using compressed air. Do not release into waterways or sewer systems and dispose of materials in accordance with jurisdictional requirements.

Personal precautions, protective equipment, and emergency procedures

Environmental precautions

N/A.

Requirements for containment and cleaning up

N/A.

Handling and storage

Personal precautions

Follow local OSHA regulations. Always wear suitable protective clothing. Flying particulate matter may become lodged in the eye and skin, wear protective glasses, and long-sleeved shirts. Fumes may be produced by welding or heating, wear dust masks designed for fine particulate matter. Wash skin that has been exposed to oils with soap and water. Launder clothes and gloves after use, or when they have become saturated with oils or dust.

Precautions for safe handling

Dependant on use, store per product guidelines. Under normal use and conditions, this product should release no hazardous chemicals and is generally recognised as safe.

Conditions for safe storage including any incompatibilities

- End caps should be stored undercover.
- Keep away from oxidisers and hazardous chemicals.
- Keep away from areas with excessive heat or open flames.

Note

Storage outside of provided packaging, resulting in exposure to UV light, or similar, may result in differential weathering of the product.

Exposure controls and personal protection measures

Single parts, under normal use and conditions, this product should release no hazardous chemicals and is generally recognised as safe. Operations may result in the generation of saw dust, and as a result rational precautions should be taken in the use of this product.

Ventilation

Use with adequate ventilation in processing operations. This product is designed for external use. In most circumstances natural outdoor ventilation should suffice without further special requirements. Operations with the potential for generating high concentrations of airborne particulates should be evaluated and controlled, as necessary. Practice good housekeeping and avoid breathing fumes or dust.

Respiratory protection

Approved dust respirators must be used for dusty conditions or if inhalation of fumes is likely. Use respirators that will provide workers with adequate protection for given work conditions, airborne contamination, and presence of sufficient oxygen levels.

Eye protection

Safety glasses with side shields, or goggles, should be worn to protect against particulate matter during operation.

Skin protection

No special equipment is required under normal circumstances.

National occupational exposure limits

Refer to material composition table for ingredient exposure limits. Otherwise, no value has been assigned to this specific composite material. May differ from region to region.

Personal protection equipment

Always wear appropriate, code compliant Personal Protective Equipment (PPE) for the various activities involved in handling polymer parts. This includes, but is not limited to, general equipment such as safety glasses, helmets, gloves and boots, dust-masks, long sleeve shirts when cutting or similar, and harness systems when working at heights or similar. The local occupational health and safety legislation will dictate.

Physical and chemical properties

Part	Part 2 (HFCCPMP3) – End cap/starter
Specific physical form	Injection moulded nylon slide and handle
Colour/Grade	Black, grey, or similar
General physical form	Injection moulded nylon
Odour	No odour
Flammability	N/A
Auto-ignition temperature	N/A
Decomposition temperature	N/A
Solubility in water and non-water	N/A
Viscosity	N/A

Part	Part 3 (HFCCPMP32) – End cap
Specific physical form	Injection moulded body for depth control
Colour/Grade	Black, grey, or similar
General physical form	Injection moulded nylon
Odour	No odour
Flammability	N/A
Auto-ignition temperature	N/A
Decomposition temperature	N/A
Solubility in water and non-water	N/A
Viscosity	N/A

Stability and reactivity

Stability

Stable. Considered non-reactive under normal circumstances.

Materials and conditions to avoid

Strong oxidising agents.

Conditions to avoid

Store away from oxidizing agents, strong acids, or bases. Extreme heat and flame, build-up of dust and debris from applications.

Hazardous polymerisation or decomposition

Under normal conditions of storage and use, hazardous decomposition products should not be produced.

Toxicology information

Inhalation

There is no foreseeable health affect.

Skin Contact

There is no foreseeable health affect.

Eye effect

There is no foreseeable health affect.

Consumption

There is no foreseeable health affect.

Additional note

When the product is used in line with product directions and guidelines under reasonable conditions, should not pose a health hazard.

Ecological information

This product, its use, release, and disposal are expected to have a low environmental impact and risk.

Environmental effects

There is no foreseeable health affect.

Environmental degradation

There is no foreseeable health affect.

Soil absorption/mobility

There is no foreseeable health affect.

Disposal consideration

Dispose of products and packaging per the local/regional/national/international regulations.

Transportation information

No specific request.

Regulatory information

Part 2 and 3 of 12

Undetermined.

Introduction - Depth stop, grip and Depth gauge (HFSP1HT and HFSDG1)

Manufacturers details

Product name:	Chain hand tool for collated deck fasteners. (Part 4 and 5 of 12)
Product use:	Used as a hand tool aid, in the installation of hidden fasteners between deck boards. The tool primarily consists of an extruded aluminium clip magazine, to which various polymer and steel components are attached/fastened, to facilitate the guidance, loading, correct, unimpeded and expeditious installation of the HULK Fasteners, Chain collated decking clip. A Depth stop with built in grip, prevents the over fastening of hidden deck fasteners, while the depth gauge allows the hand tool to be set to the correct depth for installation to most deck boards within its height range. Both made of formed steel plate.
Manufacturing information:	Eva-Last Room 1203, 12/F Tower 333 Canton Road, Tsimshatsui, Hong Kong, China
Emergency Contact:	+86 021 53397986
Product information:	+27 10 593 9220
Email:	info@eva-last.com
Website:	www.eva-last.com

Hazard identification

Hazard classification

Considered non-hazardous material.

Precautionary statements

Wear appropriate personal protective equipment when using this product per the user guidelines.

Emergency overview

Immediate health, physical and environmental hazards

When the product is used in line with product directions and guidelines under reasonable conditions, should not pose a health hazard. However, may pose a choking hazard in loose form.

Eye contact

No foreseeable health affects.

Skin contact

No foreseeable health affects.

Inhalation

No foreseeable health affects.

Ingestion

No foreseeable health affects.

Additional note

When this product is in a solid metal form it poses no immediate health or fire hazard. During processes such as welding, burning, melting, sawing, grinding or similar activities, potentially hazardous particles and fumes may be generated. Avoid inhalation of metal dust or fumes. Work in well ventilated areas, and if necessary, wear respiratory protection. Protective eye wear should always be worn during handling and use. Iron or steel foreign bodies may become imbedded in the cornea of the eye and may leave rust stains if not removed expediently.

Composition and information on ingredients

Substance	Approximate weight (%)	CAS No.	OSHA PEL	Exposure limit (mg/m ³)
SGCC Steel				
Iron (Fe)	>90.0	7439-89-6	10 mg/m ³ - Iron oxide fume	5 mg/m ³ - Iron oxide dust & fume
Carbon (C)	≤ 0.10	7440-44-0	15 mg/m ³ - Total dust (PNOR) 35 mg/m ³ - Respirable fraction (PNOR)	10 mg/m ³ - Inhalable fraction (PNOS) 3 mg/m ³ - Respirable fraction (PNOS)
Manganese (Mn)	≤ 0.18	7439-96-5	5 mg/m ³ (C) - Fume & Mn compounds	0.2 mg/m ³ - Fume
Silicon (Si)	≤ 0.03	7440-21-3	15 mg/m ³ - Total dust 5 mg/m ³ - Respirable fraction	10 mg/m ³
Sulphur (S)	≤ 0.02	7704-34-9	15 mg/m ³ - Total dust (PNOR) 5 mg/m ³ - Respirable fraction (PNOR)	10 mg/m ³ - Inhalable fraction (PNOS) 3 mg/m ³ - Respirable fraction (PNOS)
Phosphorus (P)	≤ 0.02	8049-19-2	15 mg/m ³ - Total dust (PNOR) 5 mg/m ³ - Respirable fraction (PNOR)	10 mg/m ³ - Inhalable fraction (PNOS) 3 mg/m ³ - Respirable fraction (PNOS)
Copper (Cu)	0.000	7440-50-8	0.1 mg/m ³ - Fume (as Cu) 1 mg/m ³ - Dusts & mists (as Cu)	0.2 mg/m ³ - Fume 1 mg/m ³ - Dusts & mists (as Cu)
Coating - Thermoset resin				
Zinc (Zn)	0.150 - 9.100	7440-66-6	5 mg/m ³ - Fume 15 mg/m ³ - Total dust 5 mg/m ³ - Respirable fraction	5 mg/m ³ - Fume 10 mg/m ³ - (STEL) 10 mg/m ³ - Dust
Aluminium (Al)	< 0.055	7429-90-5	15 mg/m ³ - Total dust (PNOR) 35 mg/m ³ - Respirable fraction (PNOR)	15 mg/m ³ - Metal dust 5 mg/m ³ - Welding fume
Antimony (Sb)	< 0.011	7440-36-0	0.5 mg/m ³	0.5 mg/m ³
Iron (Fe)	< 0.800	7439-89-6	10 mg/m ³ - Iron oxide fume	5 mg/m ³ - Iron oxide dust & fume
Lead (Pb)	< 0.004	7439-92-1	10 mg/m ³ - Iron oxide fume	5 mg/m ³ - Iron oxide dust & fume
Thermoset resin coating		TBD		

Note: These components may contain small amounts of various elements in addition to those specified. These small quantities (less than 0.1%) may exist as intentional additions, or as "trace" or "residual" elements that generally originate in the raw materials used. These elements may include aluminium, antimony, arsenic, boron, cadmium, calcium, chromium, cobalt, columbium, copper, lead, molybdenum, nickel, silicon, tin, titanium, vanadium, and zirconium. Galvanised surfaces may be chemically treated.

First aid measures

In the event of an injury to skin or eyes, seek immediate medical attention.

Eye contact

Following exposure to dust, flush thoroughly with water. If irritation persists, call a physician. Particles of iron that become imbedded in the eye may cause rust stains unless removed immediately.

Skin contact

Wash affected areas with soap (or a mild detergent) and water. In case of burns, (due to molten polymers or otherwise), hold burn under cold water and seek medical attention. If a rash or irritation occurs, seek medical attention.

Inhalation

In cases of overexposure to fumes, remove the person to fresh air. If respiratory issues such as excessive coughing, shortness of breath, wheezing or chest tightness occur, avoid further exposure, administer artificial oxygen, and seek immediate medical assistance. In cases of "Metal Fume Fever", bed rest and symptomatic treatment should be administered.

Consumption

There is no foreseeable need for first aid. Small parts may be a choking hazard.

Firefighting measures

Suitable fire extinguishing media

Not applicable to solid materials, do not use water on molten metal.

Special fire-fighting procedures

Use extinguishing media most appropriate for fire type. Do not release runoff into water ways or sewers.

Protective equipment

Firefighters must use self-contained breathing apparatus.

Hazardous byproducts

Thermal oxidative decomposition of Galvanized steel products can produce fumes containing oxides of zinc, iron, manganese's, and other elements at temperatures above melting point.

Accidental release measures

Not applicable to depth gauges and setters in its solid state. Suitable protective clothing and equipment, such as hand and eye protection, should be worn when working with fine particles. Avoid inhaling any dry dusts or fine particles. Vacuuming and wet sweeping should be used to remove dust and avoid using compressed air. Do not release into waterways or sewer systems and dispose of materials in accordance with jurisdictional requirements.

Personal precautions, protective equipment, and emergency procedures

N/A.

Environmental precautions

N/A.

Requirements for containment and cleaning up

N/A.

Handling and storage

Notification procedures

- Use personal protective equipment as required.
- Avoid breathing dust or fumes

Personal precautions

Follow local OSHA regulations. Always wear suitable protective clothing. Cut steel may possibly have sharp edges and could cause lacerations, gloves should be worn during handling. Flying particulate matter may become lodged in the eye and skin, wear protective glasses, and long-sleeved shirts. Fumes may be produced by welding or heating, wear dust masks designed for fine particulate matter. Wash skin that has been exposed to oils with soap and water. Launder clothes and gloves after use, or when they have become saturated with oils or dust.

Precautions for safe handling

Dependant on use, store per product guidelines. Under normal use and conditions, this product should release no hazardous chemicals and is generally recognised as safe.

Conditions for safe storage including any incompatibilities

Keep away from oxidisers and similar.

Note

Storage outside of provided packaging, resulting in exposure to UV light, or similar, may result in differential weathering of the product. Product is susceptible to corrosion in areas with high humidity

Exposure controls and personal protection measures

Single part, under normal use and conditions, this product should release no hazardous chemicals and is generally recognised as safe. Operations may result in the generation of saw dust, and as a result rational precautions should be taken in the use of this product.

Ventilation

Operations with the potential for generating high concentrations of airborne particulates should be evaluated and controlled, as necessary. Practice good housekeeping and avoid breathing fumes or dust.

Respiratory protection

Approved dust respirators must be used for dusty conditions or if inhalation of fumes is likely. Use respirators that will provide workers with adequate protection for given work conditions, airborne contamination, and presence of sufficient oxygen levels.

Eye protection

Safety glasses with side shields, or goggles, should be worn to protect against particulate matter during operation.

Skin protection

Newly cut steel edges are likely to have sharp edges and could cause lacerations; gloves should be worn during handling. Dust may cause skin irritation; long sleeves should be worn during handling.

National occupational exposure limits

Refer to material composition table for ingredient exposure limits. Otherwise, no value has been assigned to this specific composite material. May differ from region to region.

Personal protection equipment

Always wear appropriate, code compliant Personal Protective Equipment (PPE) for the various activities involved in handling tool and components. This includes, but is not limited to, general equipment such as safety glasses, helmets, gloves and boots, dust-masks, long sleeve shirts when cutting or similar, and harness systems when working at heights or similar. The local occupational health and safety legislation will dictate.

Physical and chemical properties

Part **Part 4 (HFSP1HT) – Depth stopper**

Specific physical form Bent steel plate

Colour/Grade Painted black, grey, or similar

General physical form Steel plate

Odour No odour

Flammability N/A

Auto-ignition temperature N/A

Decomposition temperature N/A

Solubility in water and non-water N/A

Viscosity N/A

Part **Part 5 (HFSDG1) – Depth gauge**

Specific physical form Bent steel plate

Colour/Grade Painted black, grey, or similar

General physical form Steel plate

Odour No odour

Flammability N/A

Auto-ignition temperature N/A

Decomposition temperature N/A

Solubility in water and non-water N/A

Viscosity N/A

Stability and reactivity

Stability

Stable. Considered non-reactive under normal circumstances.

Materials and conditions to avoid

Store away from oxidizing agents, strong acids, or bases and areas with high humidity or water.

Conditions to avoid

Extreme heat and flame, build-up of dust and debris from applications.

Hazardous polymerisation or decomposition

Under normal conditions of storage and use, hazardous decomposition products should not be produced. Thermal oxidative decomposition of galvanised steel products can produce fumes containing oxidisers of zinc, iron, and manganese as well as other elements.

Toxicology information

Inhalation

There is no foreseeable health affect.

Skin Contact

There is no foreseeable health affect.

Eye effect

There is no foreseeable health affect.

Consumption

There is no foreseeable health affect.

Additional note

When the product is used in line with product directions and guidelines under reasonable conditions, should not pose a health hazard.

Ecological information

This product, its use, release, and disposal are expected to have a low environmental impact and risk.

Environmental effects

There is no foreseeable health affect.

Environmental degradation

There is no foreseeable health affect.

Soil absorption/mobility

There is no foreseeable health affect.

Disposal consideration

There is no foreseeable health affect.

Transportation information

No specific request.

Regulatory information

Part 1 of 12

Undetermined.

Disclaimer and copyright

Document disclaimer

The provided information is offered in good faith as accurate but without guarantee. Eva-Last makes no warranties or representations of any kind (express or implied) about the accuracy, adequacy, currency, or completeness of the information, or that it is necessarily suitable for the intended use.

Compliance with this document does not guarantee immunity from breach of any statutory requirements, building codes or relevant standards. The final responsibility for the correct design and specification rests with the designer and, for its satisfactory execution, with the contractor. Appropriate warnings and safe handling procedures should be provided to handlers and users.

While most data have been compiled from research, case histories, experience and testing, small changes in the environment can produce marked differences in performance. The decision to use a material, and in what manner, is made at your own risk. The use of a material and method may therefore need to be modified to its intended end use and environment.

Eva-Last, its directors, officers or employees shall not be responsible for any direct, indirect, or special loss or damage arising from, or as a consequence of, use of, or reliance upon, any information contained in this document or other documents referenced herein. Eva-Last expressly disclaims any liability which is based on or arises out of the information or any errors, omissions or misstatements herein.

Drawing disclaimer

All dimensions and specifications are offered in good faith as accurate but without guarantee. The information captured herein may not contain complete details. Eva-Last makes no warranties or representations of any kind (express or implied) about the accuracy, adequacy, currency, or completeness of the information, or that it is necessarily suitable for the intended use.

Compliance with this document does not guarantee immunity from breach of any statutory requirements, building codes or relevant standards. The final responsibility for the correct design and specification rests with the designer and, for its satisfactory execution, with the contractor.

Utilisation disclaimer

Legislation may differ between jurisdictions. Before installing any Eva-Last product, ensure that the application is rational and complies with the local regulations and building codes. Wherever necessary, consult a suitably qualified professional. Be sure to comply with material manufacturer specifications. Where manufacturers and building codes differ, revert to the building code requirements. Check that your choice of product is suitable for its intended application. For further product specification and information visit www.eva-last.com.

Copyright

If reprinted or reproduced or utilised in any form Eva-Last should be acknowledged as the source of the information.

Eva-Last periodically updates the information contained in this document as well as that of the Eva Last documents that have been referenced herein. Before using this document, please refer to the Eva-Last website (www.eva-last.com) for the most up-to-date documents.

Contact information

Eva-Last

Room 1203, 12/F Tower 333 Canton Road, Tsimshatsui, Hong Kong, China

Emergency Contact: +86 021 53397986

Product information: +27 10 593 9220

Email: info@eva-last.com

Website: www.eva-last.com