



CHAIN FASTENERS TECHNICAL DATA SHEET

VERSION 4.1 | 09/05/2022



Before installing, please ensure you have downloaded the latest version of this TDS by scanning this code.

www.eva-last.com

A PRODUCT BY

EVA-LAST[®]
INSPIRED BY NATURE, DESIGNED FOR LIFE.

Contents

Introduction.....	3
Overview.....	3
Application	3
Mechanical properties.....	5
Chain hidden decking clip.....	6
Accessories.....	7
Packaging.....	8
Disclaimer and copyright.....	9

Introduction

Manufacturers details

Product name:	Chain collated decking clip for grooved composite or timber deck boards
Manufacturing information:	Eva-Last Room 1203, 12/F Tower 333 Canton Road, Tsimshatsui, Hong Kong, China
Emergency Contact:	+86 021 53397986
Product information:	+27 10 593 9220
Email:	info@eva-last.com
Website:	www.eva-last.com

Overview

A single Chain collated decking clip strip consists of a magazine of 15 clips with pre-loaded screws. Screws are available for both timber, and similar, as well as metal substructure substrates. Each clip consists of a stainless-steel skeleton wrapped in a polymer coating, this polymer also forms the base and collation for the clips.

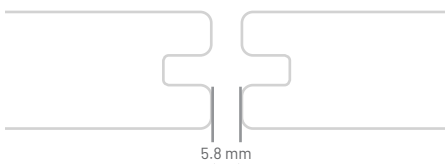
Application

Used as a hidden fastener between timber and composite grooved boards.

- Compatible with deck board grooves as detailed below.

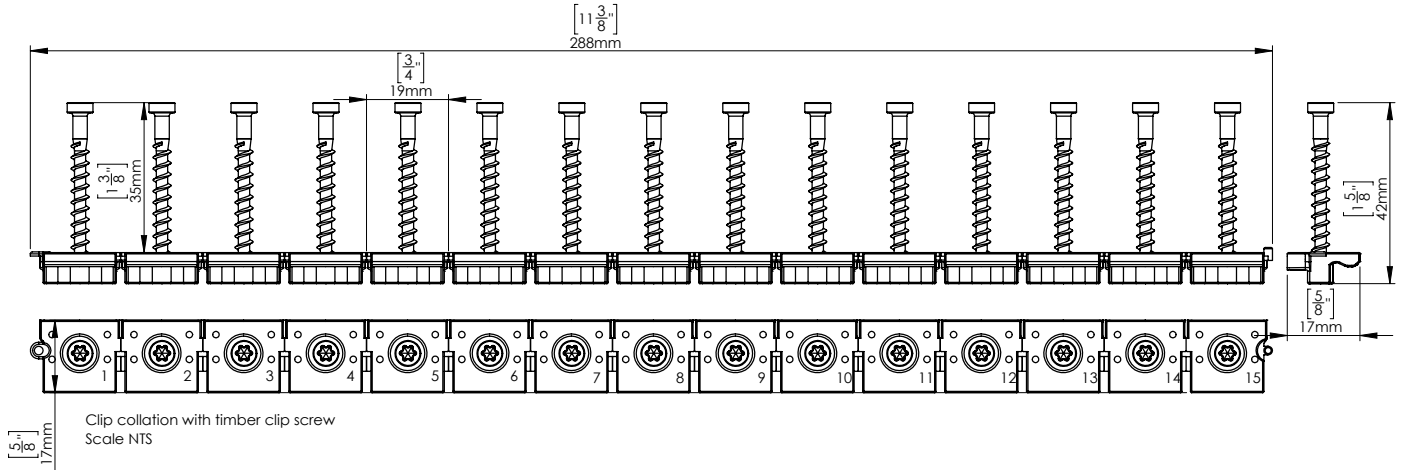


- Typical resultant gap between boards as detailed below.

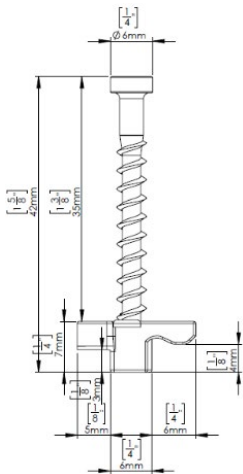


- Compatible with timber or composite joists of a minimum profile height of 38 mm and width of 38 mm.
- Compatible with metal joists of a minimum profile height of 32 mm and width of 25 mm.

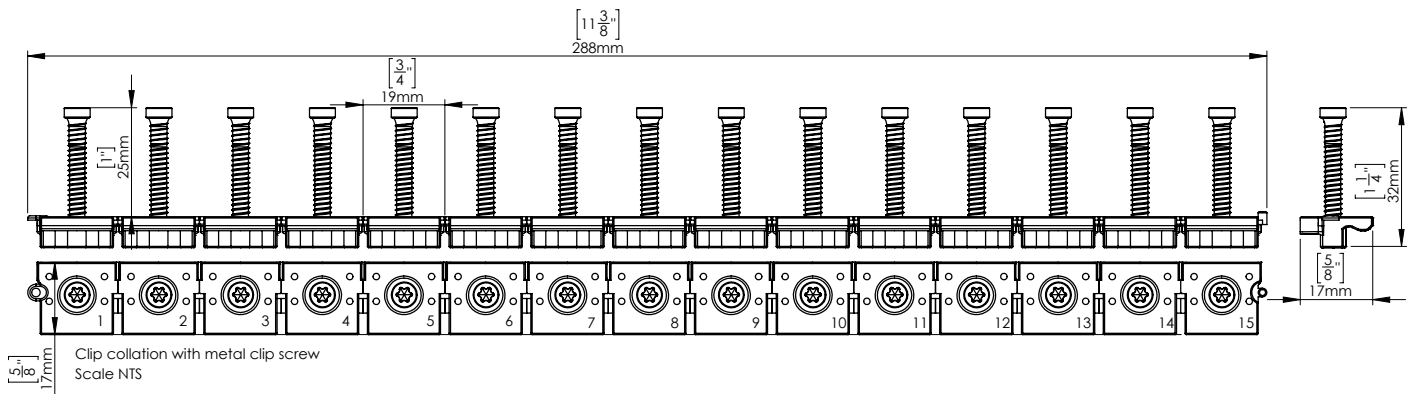
Applications with timber and composite substructure substrates



Part	Feature	Detail
Screw	Screw dimensions	M4.2 x 42 mm
	Screw material	Stainless steel 316 (A4)
	Screw coating	Dark brown epoxy (~ 20 µm thick)
	Head type	Pan head
	Drill point type	Type 17 (self-drilling)
	Effective thread length	30 mm to 33 mm
	Pre-drilling hole size (if applicable)	2.5 mm
Clip	Clip dimensions	17 x 7 x 19 mm
	Clip insert material	Stainless steel 316L (A4) or 304 (A2)
	Clip coating, base, collation and insert	Black Polypropylene (minimum ~200 µm thick)
	Clip base width	5.8 mm
	Clip base expansion buffer width	0.3 mm



Applications with metal substructure substrates



Clip collation with metal clip screw
Scale NTS

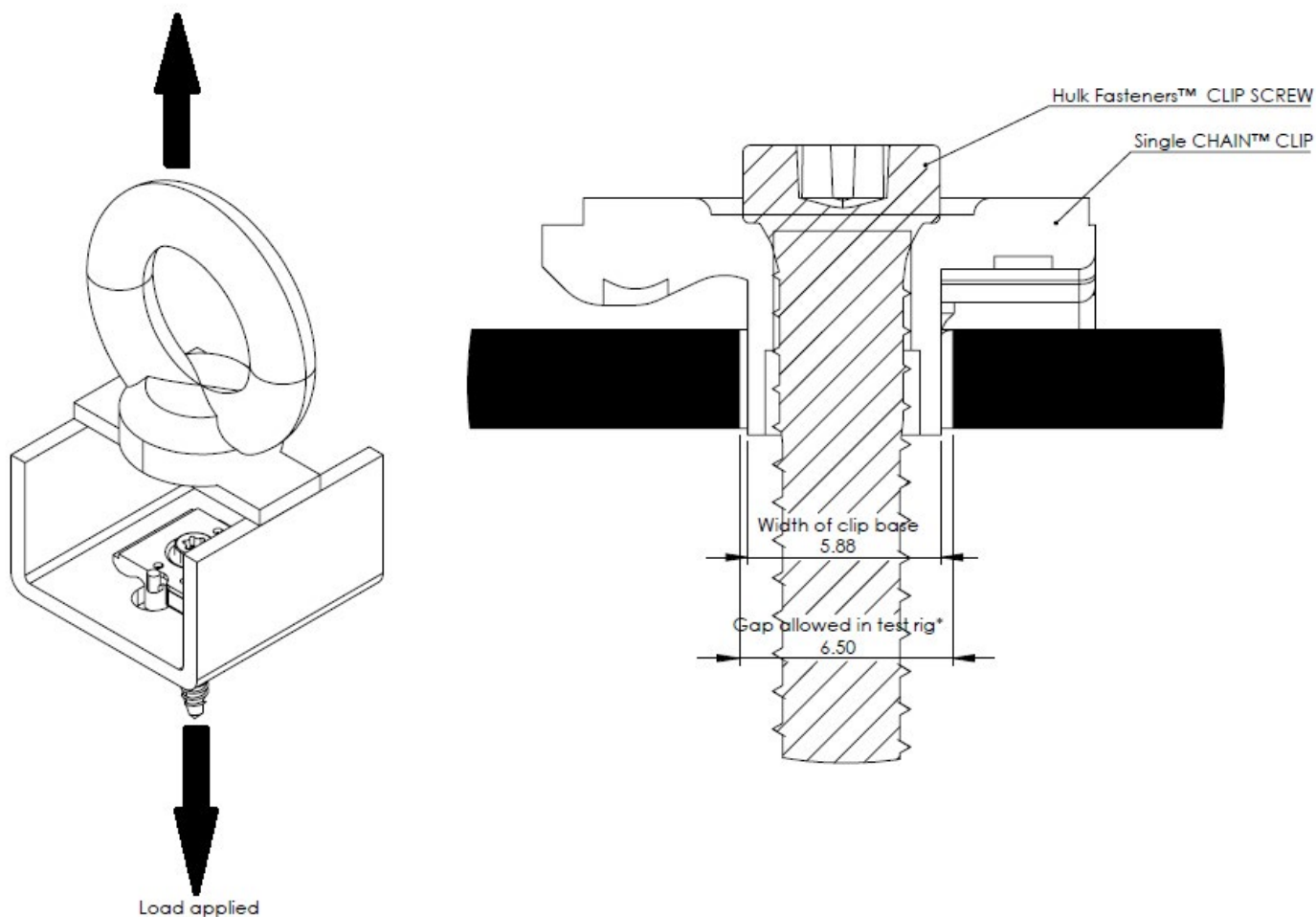
Part	Feature	Detail
	Screw dimensions	M4.2 x 32 mm
	Screw material	Carbon Steel - C1022
	Screw coating	Dark brown epoxy. (~ 20 µm thick)
	Head type	Pan head
	Drill point type	Pre-Drilling point
	Effective thread length	30 mm to 31 mm
	Pre-drilling hole size (if applicable)	3.3 mm
	Clip dimensions	17 x 7 x 19 mm
	Clip insert material	Stainless steel 316L (A4) or 304 (A2)
	Clip coating, base, collation and insert	Black Polypropylene (minimum ~200 µm thick)
	Clip base width	5.8 mm
	Clip base expansion buffer width	0.3 mm

Mechanical properties

Timber clip screw

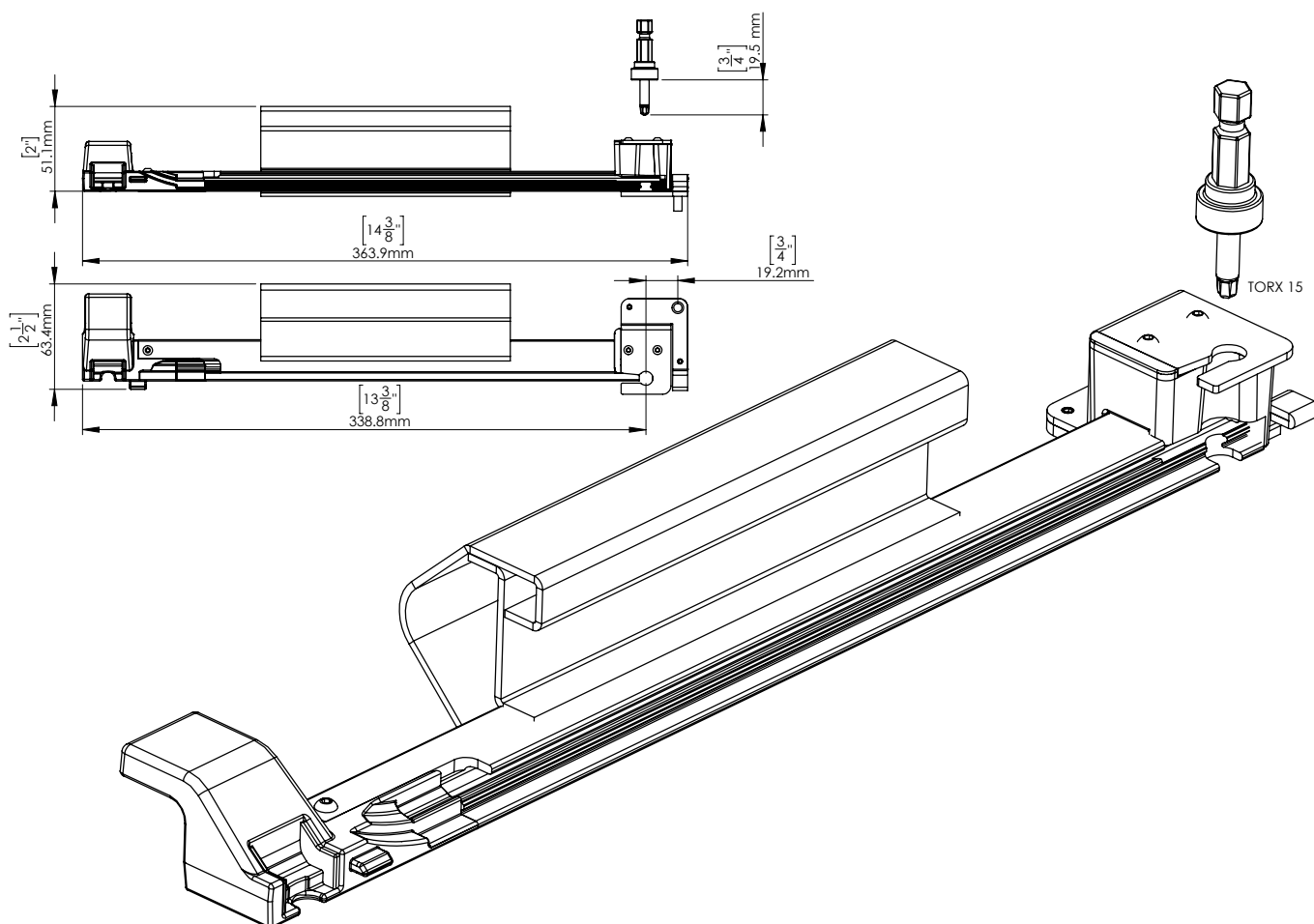
The timber clip screw torque and tensile resistance was tested according to the GB/T 3098.21-2014 test standard by China Component Testing (CCT). The screw withdrawal results are based on internal tests conducted on a 305 stainless steel version of the same screw.

Specification	Results	Units	Units
Ultimate torque	2.6	Nm	Tests conducted by CCT.



Specification	Results	Units	Notes
Average tensile failure load - timber screw and clip	5.2	kN	The clips deformed under load, but no failure occurred.
Average tensile failure load - metal screw and clip	5.1	kN	The clips deformed under load, but no failure occurred.

Accessories



Part	Feature	Detail
Hand tool	Hand tool dimensions	364 x 52 x 53.5 mm
	Clip capacity	1 to 15
	Material	Aluminium body, nylon caps and zinc galvanised steel ancillary parts
	Coating	Black powder coated
	Default depth setting	6 mm groove foot height
	Adjustable depth plate	9 mm groove foot height (3 mm adjustment plate)
Bit	Bit Type	Torx 15
	Bit length	50 mm
	Bit material	S2 alloy steel
	Effective stop out depth	19.5 mm
	Expected lifespan for timber applications	Estimated 40 to 50 m ²
	Expected lifespan for metal applications	Estimated 8 to 10 m ²
	Packaging	Bit included in hand tool box and sold separately

Packaging

Both the timber and metal application versions of the Chain Collated decking clip is available in various packaging options.

Pack	Quantity of strips	Quantity of clips	Approximate coverage (m ² per pack)	Box dimensions (mm)	Box masses (kg)	Note
150 Series pack (Timber series)	10 strips	150 clips	6 to 9	50 x 90 x 290	0.8	Single box of 10 strips of 15 clips.
150 Series pack (Metal series)					0.8	
900 Series pack (Timber series)	60 strips	900 clips	36 to 54	150 x 180 x 290	4.4	Single sleeve of 6 of the 150 Series packs.
900 Series pack (Metal series)					4.7	
3 600 Master carton (Timber version)	240 strips	3 600 clips	144 to 216	300 x 360 x 290	17.6	Single box of 4 of the 900 Series packs.
3 600 Master carton (Metal version)					18.8	
Hand tool	1 Hand tool		N/A	65 x 77 x 377	0.6	

Disclaimer and copyright

Document disclaimer

The provided information is offered in good faith as accurate but without guarantee. Eva-Last makes no warranties or representations of any kind (express or implied) about the accuracy, adequacy, currency, or completeness of the information, or that it is necessarily suitable for the intended use.

Compliance with this document does not guarantee immunity from breach of any statutory requirements, building codes or relevant standards. The final responsibility for the correct design and specification rests with the designer and, for its satisfactory execution, with the contractor. Appropriate warnings and safe handling procedures should be provided to handlers and users.

While most data have been compiled from research, case histories, experience and testing, small changes in the environment can produce marked differences in performance. The decision to use a material, and in what manner, is made at your own risk. The use of a material and method may therefore need to be modified to its intended end use and environment.

Eva-Last, its directors, officers or employees shall not be responsible for any direct, indirect, or special loss or damage arising from, or as a consequence of, use of, or reliance upon, any information contained in this document or other documents referenced herein. Eva-Last expressly disclaims any liability which is based on or arises out of the information or any errors, omissions or misstatements herein.

Drawing disclaimer

All dimensions and specifications are offered in good faith as accurate but without guarantee. The information captured herein may not contain complete details. Eva-Last makes no warranties or representations of any kind (express or implied) about the accuracy, adequacy, currency, or completeness of the information, or that it is necessarily suitable for the intended use.

Compliance with this document does not guarantee immunity from breach of any statutory requirements, building codes or relevant standards. The final responsibility for the correct design and specification rests with the designer and, for its satisfactory execution, with the contractor.

Utilisation disclaimer

Legislation may differ between jurisdictions. Before installing any Eva-Last product, ensure that the application is rational and complies with the local regulations and building codes. Wherever necessary, consult a suitably qualified professional. Be sure to comply with material manufacturer specifications. Where manufacturers and building codes differ, revert to the building code requirements. Check that your choice of product is suitable for its intended application. For further product specification and information visit www.eva-last.com.

Copyright

If reprinted or reproduced or utilised in any form Eva-Last should be acknowledged as the source of the information.

Eva-Last periodically updates the information contained in this document as well as that of the Eva Last documents that have been referenced herein. Before using this document, please refer to the Eva-Last website (www.eva-last.com) for the most up-to-date documents.

Contact information

Eva-Last

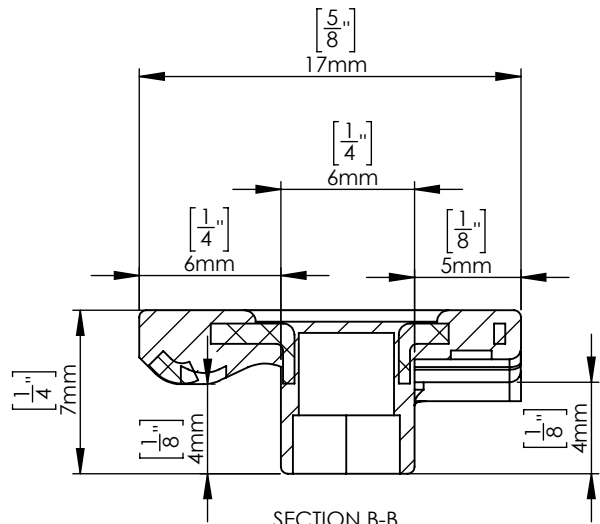
Room 1203, 12/F Tower 333 Canton Road, Tsimshatsui, Hong Kong, China

Emergency Contact: +86 021 53397986

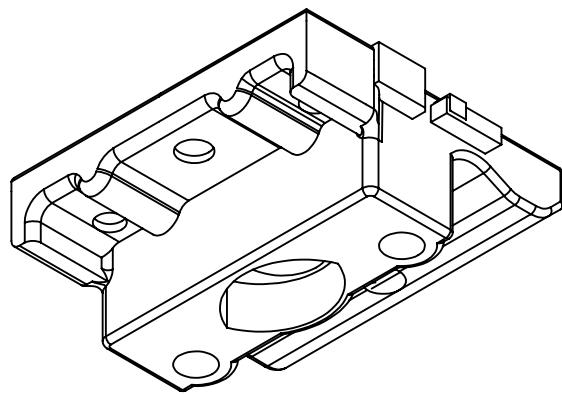
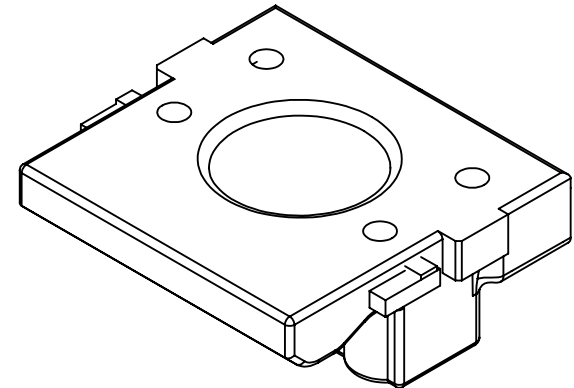
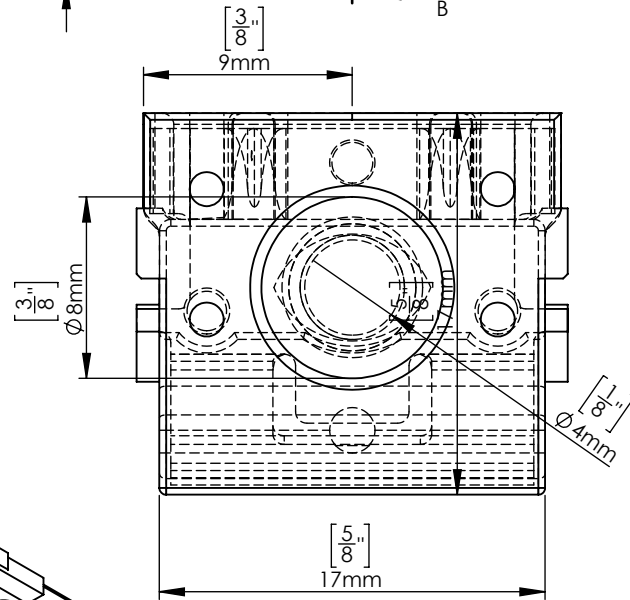
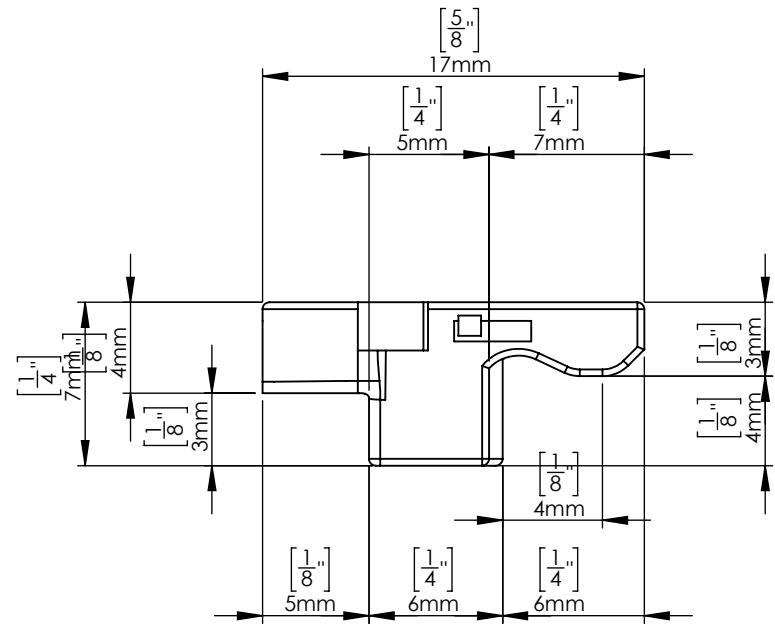
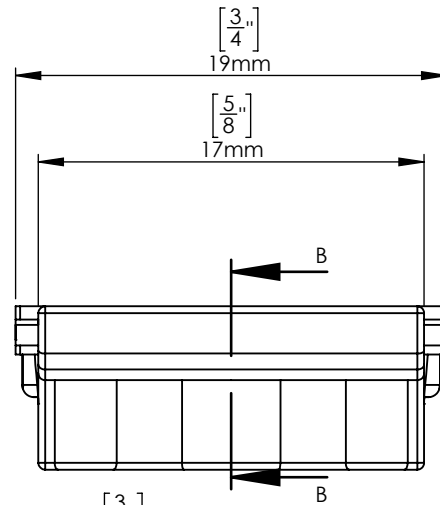
Product information: +27 10 593 9220

Email: info@eva-last.com

Website: www.eva-last.com



SECTION B-B
SCALE 3 : 1



TITLE:

**Chain hidden deck fastener
Single clip (of 15 piece strip)**

DWG NO.

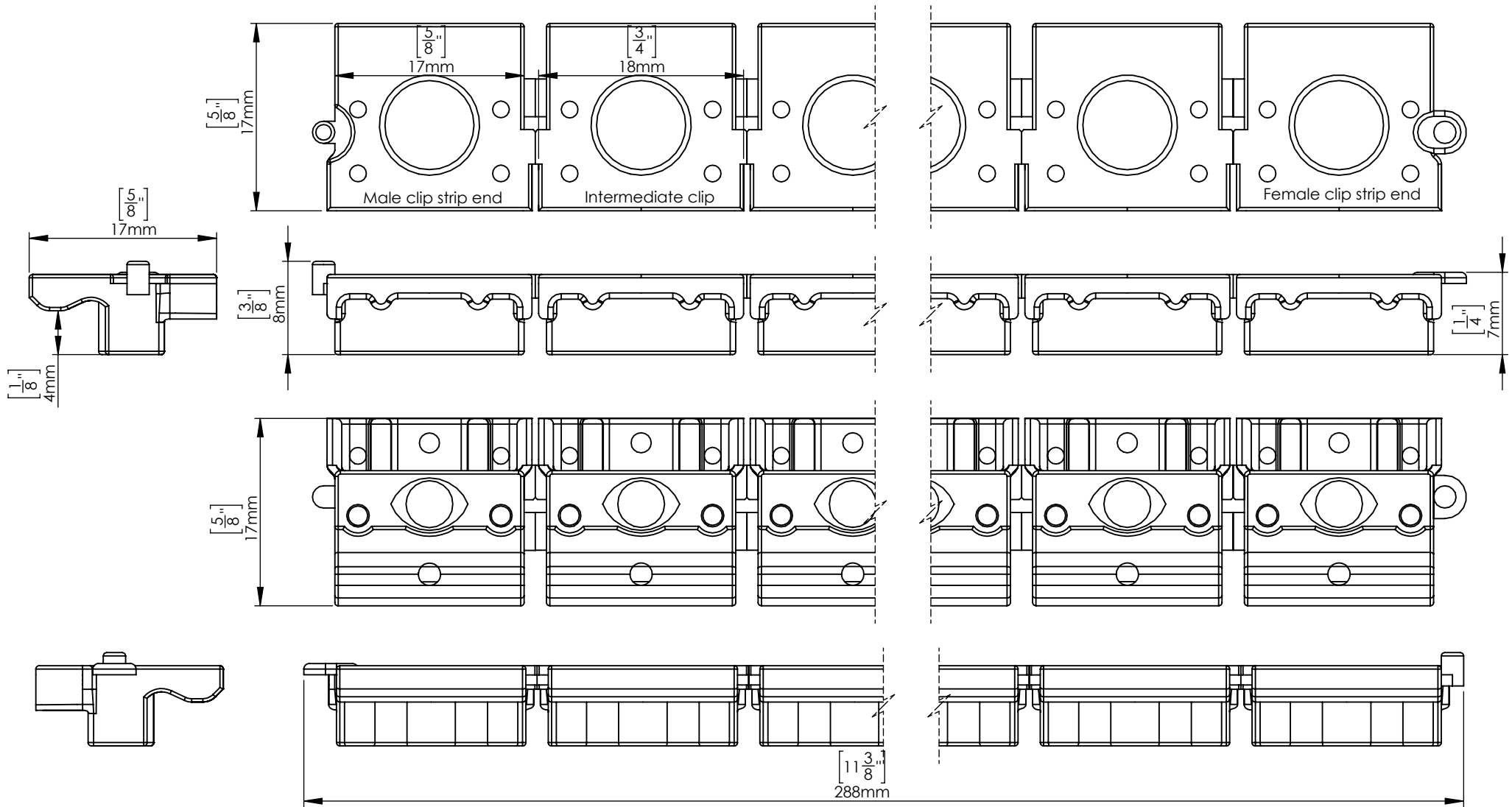
2022-05-09 - Chain hidden deck fastener details

A4

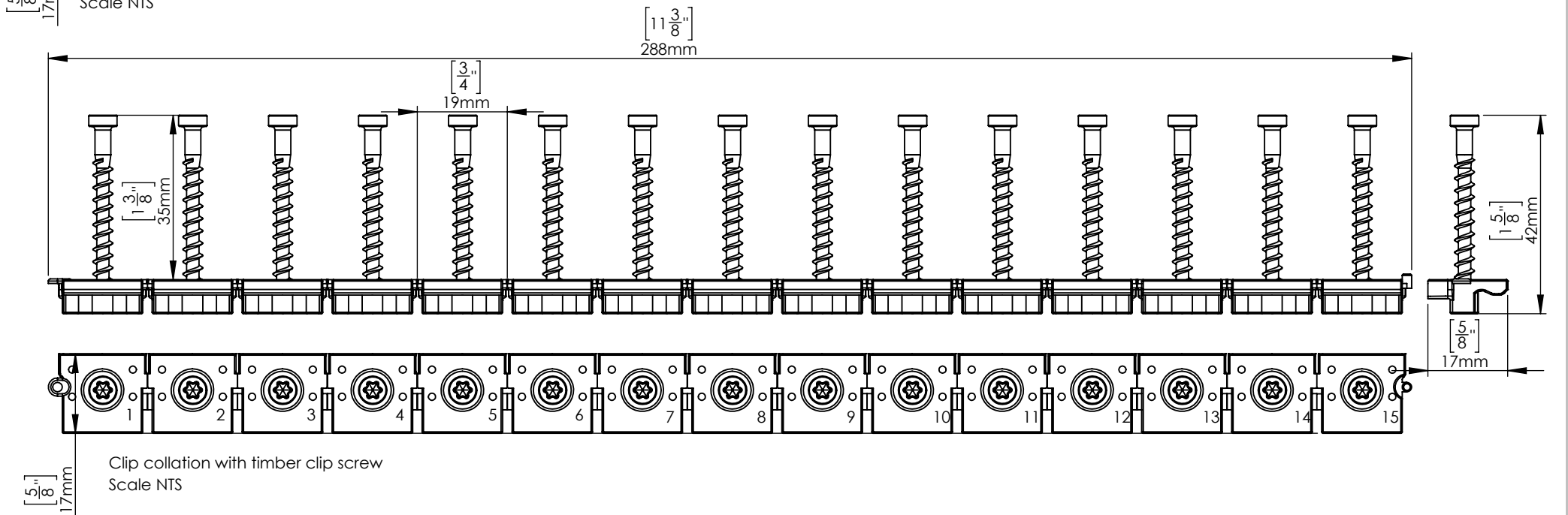
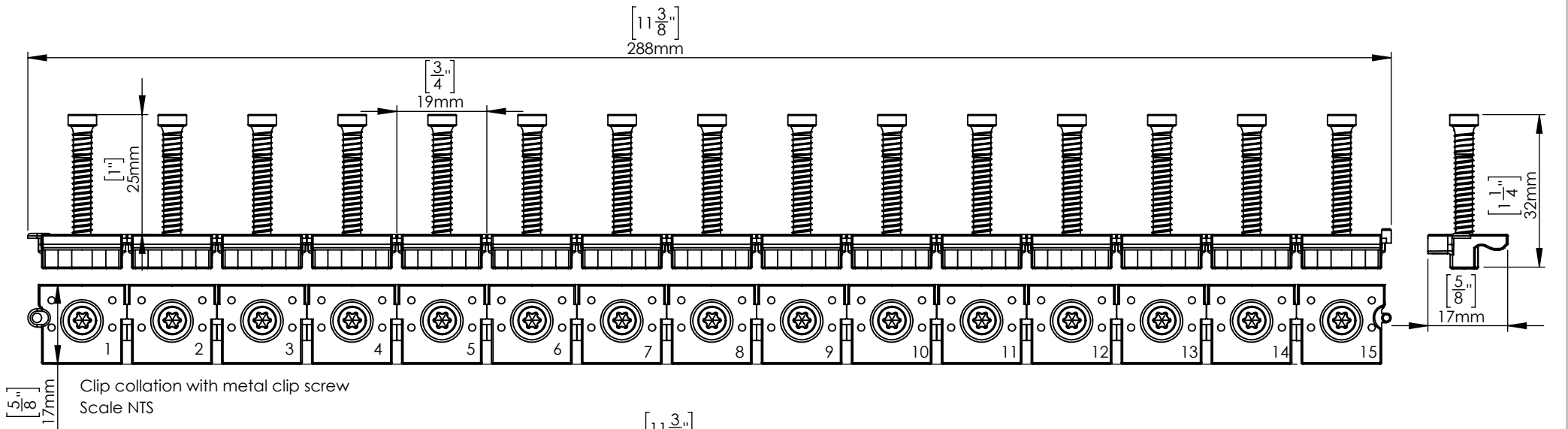
UNLESS OTHERWISE SPECIFIED:
DIMENSIONS ARE IN MILLIMETERS

DATE DRAWN : 2022-05-03

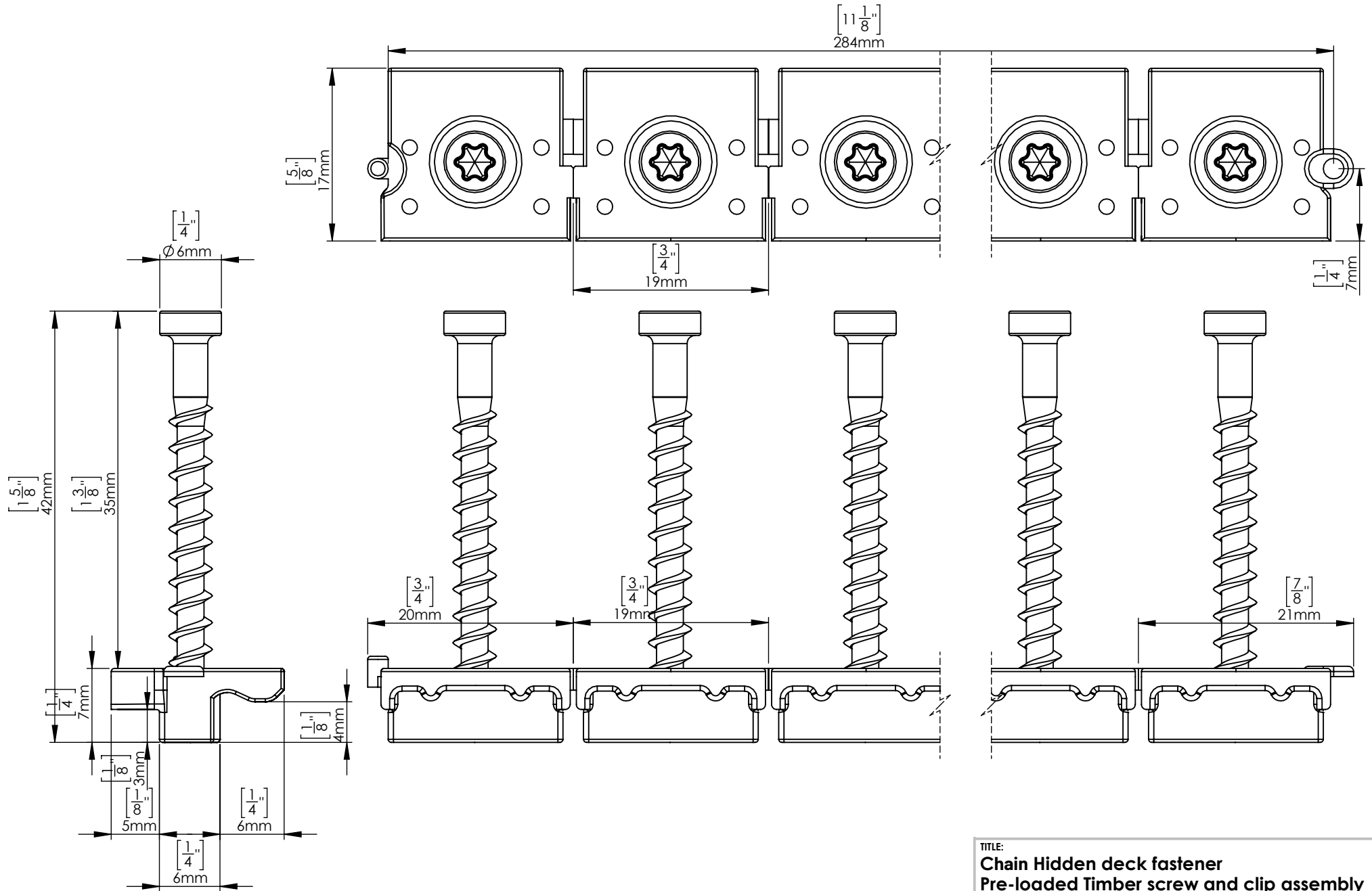
REV A



TITLE:		A4
Chain hidden deck fastener Stand alone clip strip		
DWG NO.	2022-05-09 - Chain hidden deck fastener details	REV A
UNLESS OTHERWISE SPECIFIED: DIMENSIONS ARE IN MILLIMETERS		
DATE DRAWN :	2022-05-03	



TITLE:	
Chain hidden deck fastener	
Available variations	
DWG NO.	A4
2022-05-09 - Chain hidden deck fastener details	
UNLESS OTHERWISE SPECIFIED: DIMENSIONS ARE IN MILLIMETERS	DATE DRAWN : 2022-05-03
	REV A



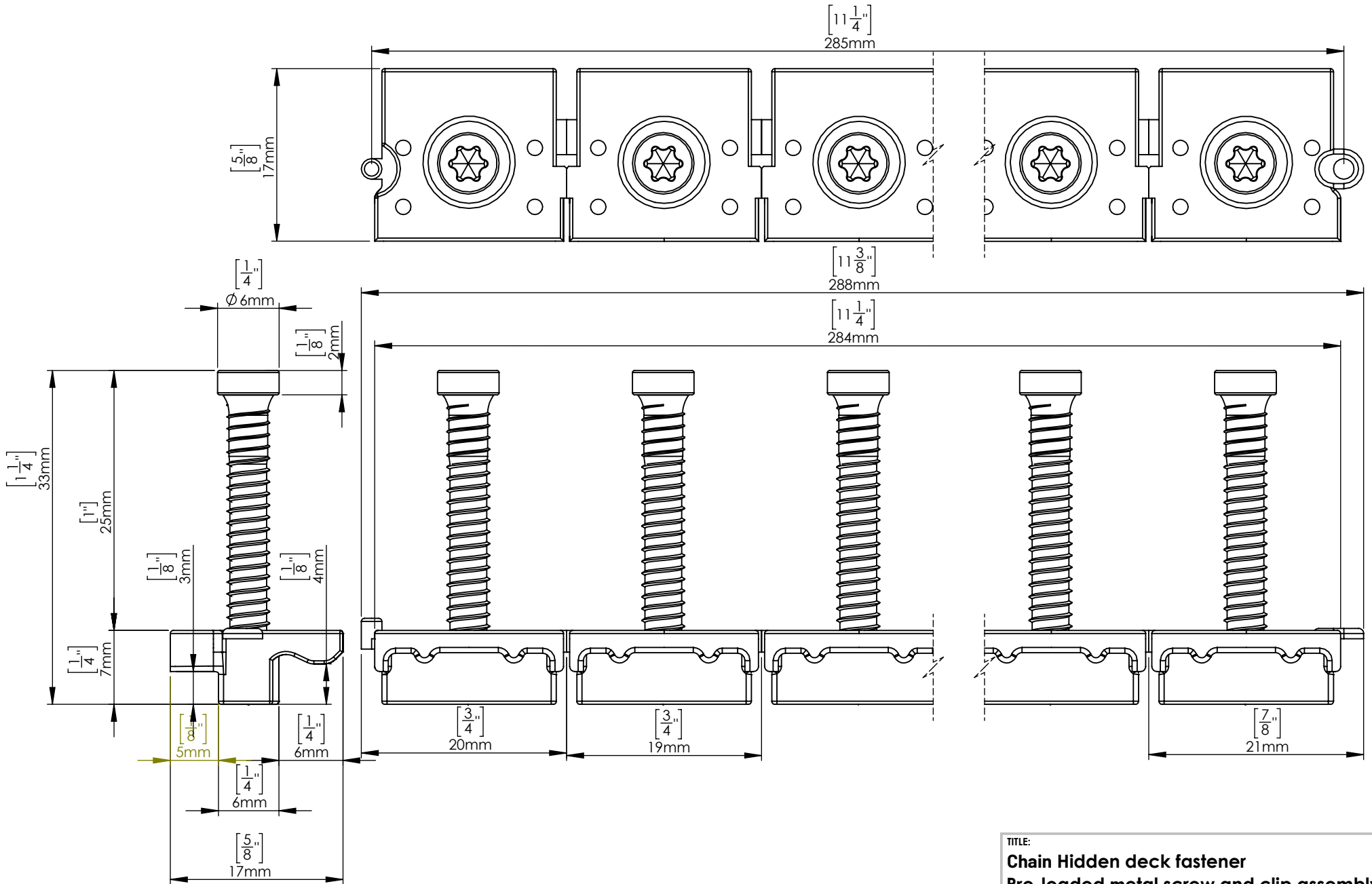
TITLE:
Chain Hidden deck fastener
Pre-loaded Timber screw and clip assembly

DWG NO.
 2022-05-09 - CHAIN™ hidden deck fastener details

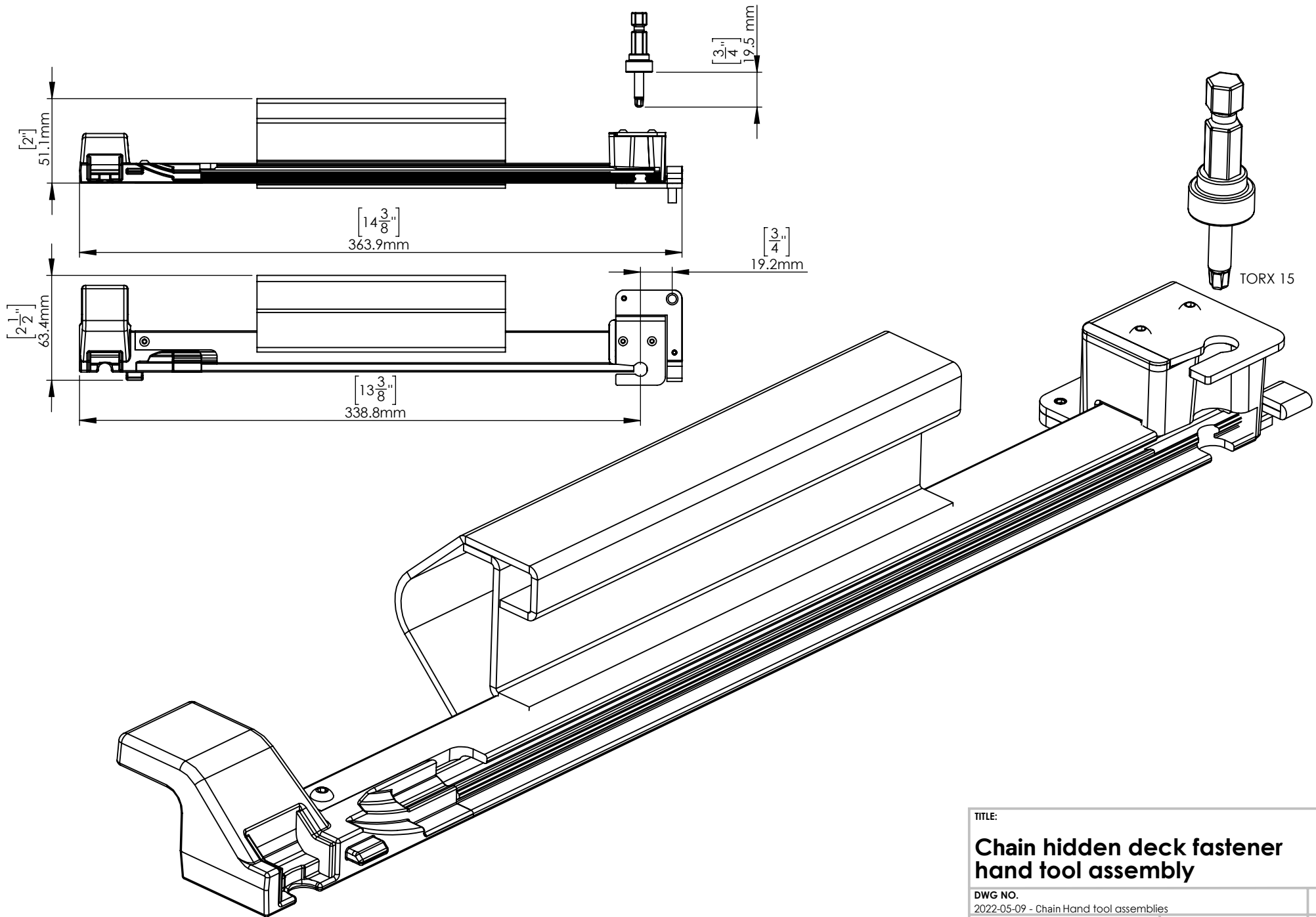
A4

UNLESS OTHERWISE SPECIFIED:
 DIMENSIONS ARE IN MILLIMETERS

DATE DRAWN : 2022-05-03 REV A

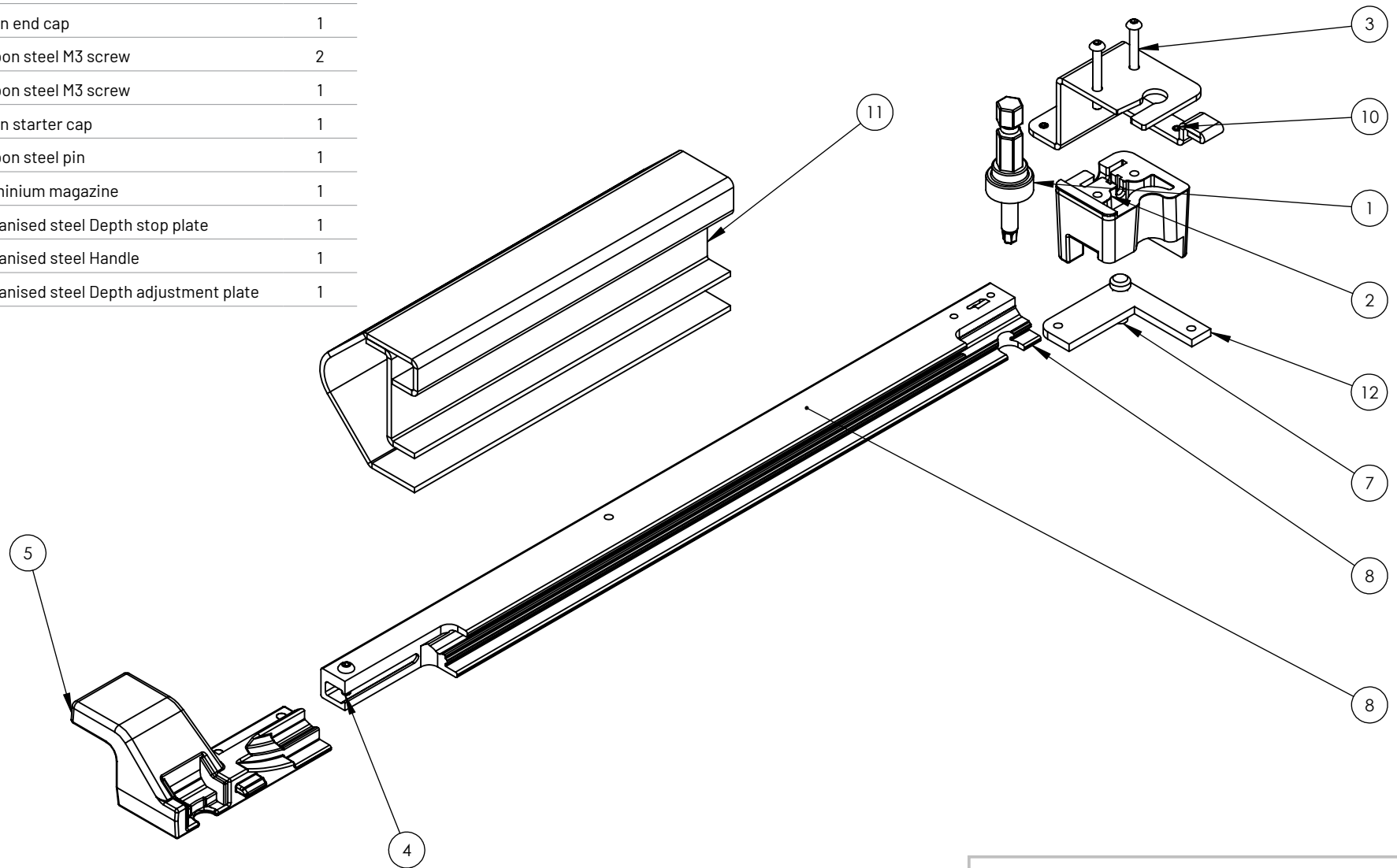


TITLE: Chain Hidden deck fastener Pre-loaded metal screw and clip assembly	
DWG NO. 2022-05-09 - Chain hidden deck fastener details	A4
UNLESS OTHERWISE SPECIFIED: DIMENSIONS ARE IN MILLIMETERS	DATE DRAWN : 2022-05-03 REV A



TITLE:		
Chain hidden deck fastener hand tool assembly		
DWG NO.	2022-05-09 - Chain Hand tool assemblies	A4
UNLESS OTHERWISE SPECIFIED: DIMENSIONS ARE IN MILLIMETERS	DATE DRAWN :2022-05-04	REV A

IETM NO.	PART ID	QTY.
1	S2 Steel alloy Depth controlling bit TX 15	1
2	Nylon end cap	1
3	Carbon steel M3 screw	2
4	Carbon steel M3 screw	1
5	Nylon starter cap	1
7	Carbon steel pin	1
8	Aluminium magazine	1
10	Galvanised steel Depth stop plate	1
11	Galvanised steel Handle	1
12	Galvanised steel Depth adjustment plate	1



TITLE:

Chain Hand tool assembly

DWG NO.

2022-05-09 - Chain Hand tool assemblies

A4

UNLESS OTHERWISE SPECIFIED: DIMENSIONS
ARE IN MILLIMETERS

DATE DRAWN : 2022-05-04

REV A